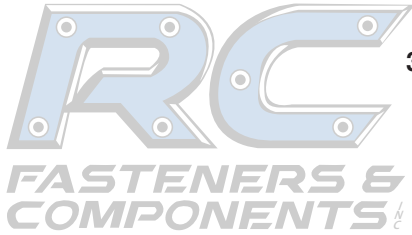
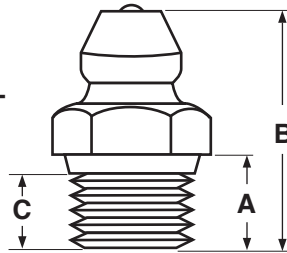


Grease Fittings

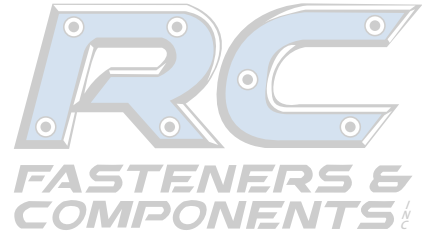
SPL Taper Thread



31FGS-SPLT



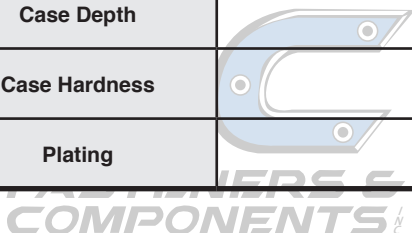
FASTENERS & COMPONENTS

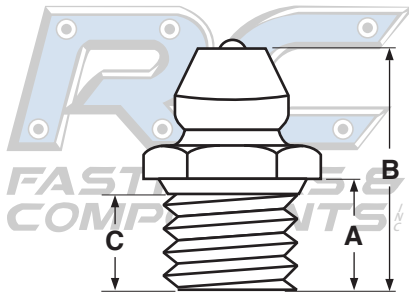


| GREASE FITTING — SPL TAPER THREAD | | | | | | | | |
|-----------------------------------|----------|--------|--------------|--------------|-------------------------|-----------------------|-------|---------------------------|
| Part Number | Type | Thread | A | B | C | Recommended Hole Size | | Hex Size Across the Flats |
| | | | Shank Length | Total Height | Effective Thread Length | Max | Min | Ref |
| | | | Ref | Ref | Ref | | | |
| 31FGS-SPLT | Straight | 1/4-28 | 13/64" | 9/16" | 9/64" | 0.235 | 0.230 | 5/16" |

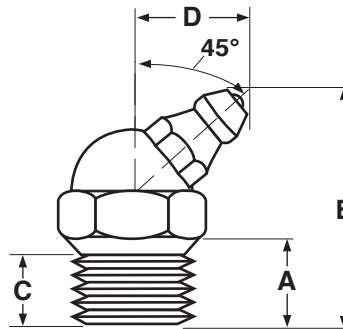


| | |
|----------------------------------|-----------------------------------------------------------------------------------------------------------------------------------------------------------------------------------------------------------------------------------------------------------------------------------------------------|
| Description | A fastener that has external threads at one end a nipple-style connection at the opposite end. The nipple consists of an opening in which a small captive ball bearing maintains its location flush with the surface of the fitting by the force supplied by a retaining spring within the fitting. |
| Applications / Advantages | Used on mining, agricultural and industrial equipment when regularly scheduled lubrication maintenance is required to extend lifespan of machinery. Installation force causes material of untapped hole to reshape conforming to fitting thread contour, providing a leak proof permanent seal. |
| Material | Carbon Steel |
| Case Depth | 0.13 - 0.23 mm |
| Case Hardness | Rockwell 15N 83 minimum |
| Plating | Parts are supplied RoHS zinc finish. |

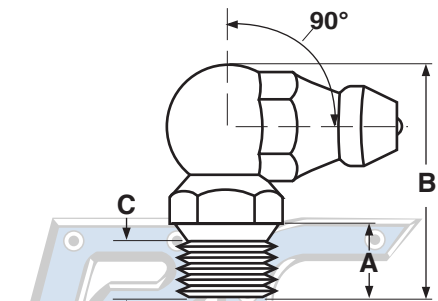




43FGS-SPL



43FG45-SPL



43FG90-SPL

GREASE FITTINGS — SPL PIPE THREAD

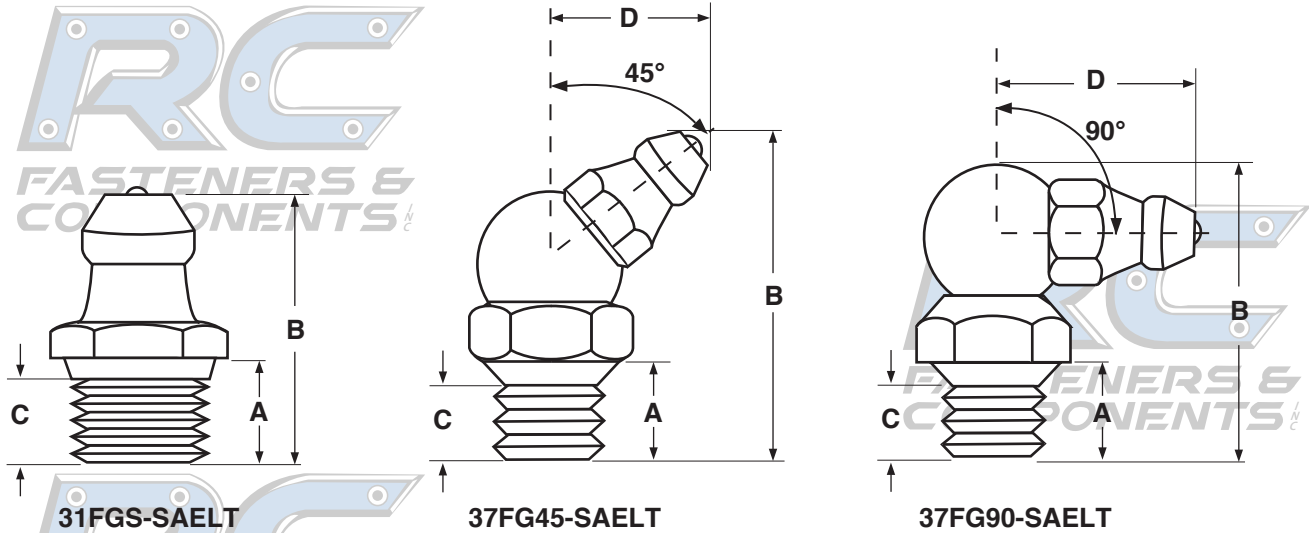
| Part Number | Type | Thread | A | B | C | D | Recommended Hole Size | | Hex Size Across the Flats |
|-------------|----------|--------|--------------|--------------|-------------------------|----------------------|-----------------------|------|---------------------------|
| | | | Shank Length | Total Height | Effective Thread Length | Check Valve Distance | Max | Min | Ref |
| | | | Ref | Ref | Ref | Ref | | | |
| 43FGS-SPL | Straight | 1/8-27 | 15/64" | 5/8" | 9/64" | - | .380 | .373 | 7/16" |
| 43FG45-SPL | Elbow | 1/8-27 | 13/64" | 27/32" | 11/64" | 29/64" | .380 | .373 | 7/16" |
| 43FG90-SPL | Elbow | 1/8-27 | 13/64" | 3/4" | 11/64" | 17/32" | .380 | .373 | 7/16" |

| | |
|----------------------------------|-----------------------------------------------------------------------------------------------------------------------------------------------------------------------------------------------------------------------------------------------------------------------------------------------------|
| Description | A fastener that has external threads at one end a nipple-style connection at the opposite end. The nipple consists of an opening in which a small captive ball bearing maintains its location flush with the surface of the fitting by the force supplied by a retaining spring within the fitting. |
| Applications / Advantages | Used on mining, agricultural and industrial equipment when regularly scheduled lubrication maintenance is required to extend lifespan of machinery. Installation force causes material of untapped hole to reshape conforming to fitting thread contour, providing a leak proof permanent seal. |
| Material | Carbon Steel |
| Case Depth | 0.13 - 0.23 mm |
| Case Hardness | Rockwell 15N 83 minimum |
| Plating | Parts are supplied RoHS zinc finish. |

Grease Fittings

SAE-LT Taper Thread

FASTENERS & COMPONENTS



GREASE FITTINGS — SAE-LT TAPER THREAD

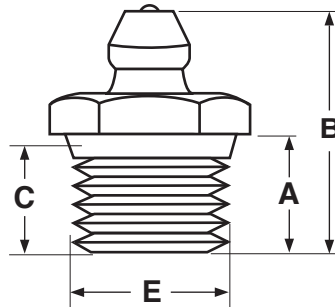
| Part Number | Type | Thread | A | B | C | D | Hex Size Across the Flats |
|---------------|----------|--------|--------------|--------------|-------------------------|----------------------|---------------------------|
| | | | Shank Length | Total Height | Effective Thread Length | Check Valve Distance | |
| | | | Ref | Ref | Ref | Ref | |
| 31FGS-SAE LT | Straight | 1/4-28 | 3/16" | 35/64" | 9/64" | - | 5/16" |
| 37FG45-SAE LT | Elbow | 1/4-28 | 7/32" | 27/32" | 5/32" | 7/16" | 3/8" |
| 37FG90-SAE LT | Elbow | 1/4-28 | 7/32" | 3/4" | 5/32" | 33/64" | 3/8" |

| | |
|----------------------------------|-----------------------------------------------------------------------------------------------------------------------------------------------------------------------------------------------------------------------------------------------------------------------------------------------------|
| Description | A fastener that has external threads at one end a nipple-style connection at the opposite end. The nipple consists of an opening in which a small captive ball bearing maintains its location flush with the surface of the fitting by the force supplied by a retaining spring within the fitting. |
| Applications / Advantages | Used on mining, agricultural and industrial equipment when regularly scheduled lubrication maintenance is required to extend lifespan of machinery. These fittings are designed to be installed into straight holes with 1/4-28" UNF 3B straight thread. |
| Material | Carbon Steel |
| Case Depth | 0.13 - 0.23 mm |
| Case Hardness | Rockwell 15N 83 minimum |
| Plating | Parts are supplied RoHS zinc finish. |

Grease Fittings

FASTENERS & COMPONENTS

RC
FASTENERS & COMPONENTS



56FGS-PTF

RC
FASTENERS & COMPONENTS

GREASE FITTINGS — PTF PIPE THREAD

| Part Number | Type | Thread | A | B | C | E | Hex Size Across the Flats |
|-------------|----------|--------|--------------|--------------|-------------------------|-------------------------|---------------------------|
| | | | Shank Length | Total Height | Effective Thread Length | Thread Outside Diameter | |
| | | | Ref | Ref | Ref | Ref | |
| 56FGS-PTF | Straight | 1/4-18 | 3/8" | 53/64" | 19/64" | 0.540" | 9/16" |

FASTENERS & COMPONENTS

RC

| | |
|----------------------------------|-----------------------------------------------------------------------------------------------------------------------------------------------------------------------------------------------------------------------------------------------------------------------------------------------------|
| Description | A fastener that has external threads at one end a nipple-style connection at the opposite end. The nipple consists of an opening in which a small captive ball bearing maintains its location flush with the surface of the fitting by the force supplied by a retaining spring within the fitting. |
| Applications / Advantages | Used on mining, agricultural and industrial equipment when regularly scheduled lubrication maintenance is required to extend lifespan of machinery. These fittings are recommended where heavy lubricants are used. |
| Material | Carbon Steel |
| Case Depth | 0.13 - 0.23 mm |
| Case Hardness | Rockwell 15N 83 minimum |
| Plating | Parts are supplied RoHS zinc finish. |

FASTENERS & COMPONENTS

FASTENERS & COMPONENTS