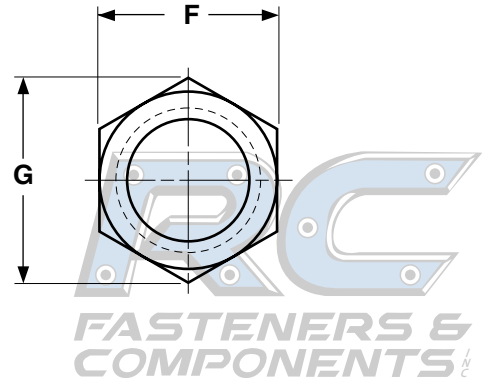
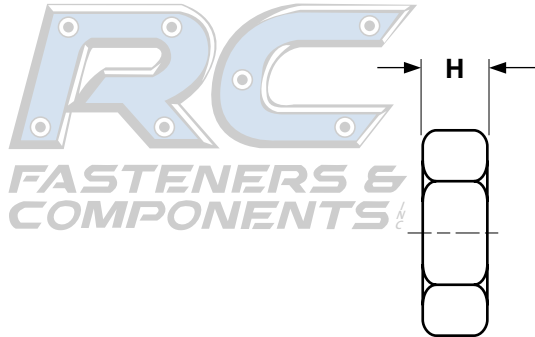


Steel

Light Automotive Hex Nuts

Nuts

FASTENERS & COMPONENTS



LIGHT AUTOMOTIVE HEX NUTS

Nominal Size or Basic Major Diameter of Thread		F		G		H	
		Width Across Flats		Width Across Corners		Thickness	
		Max	Min	Max	Min	Max	Min
7/16-14	0.4375	0.625	0.607	0.722	0.692	0.385	0.365
7/16-20	0.4375	0.625	0.607	0.722	0.692	0.385	0.365

Description	A six-sided, internally threaded fastener that is approximately 50% thicker than a same-sized jam nut.
Applications / Advantages	Used in automotive applications that require light tension and have limited clearance area.
Material	Low carbon steel
Plating	Nuts are usually supplied with a plain finish.