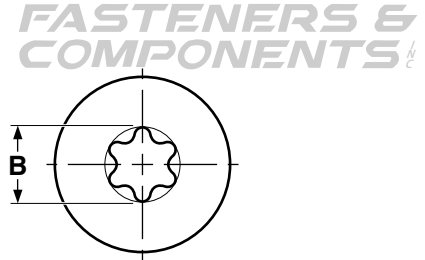
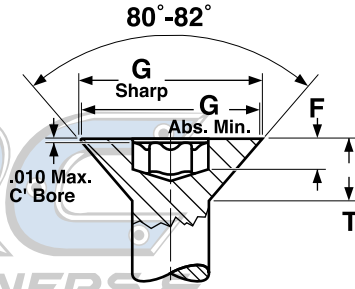
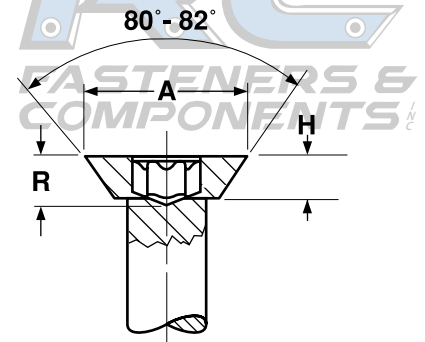
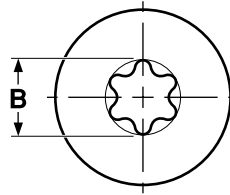
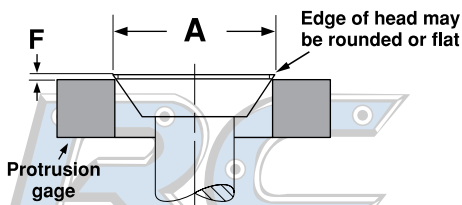


# Machine Screws Head Dimensions

Torx® Flat  
Torx® Flat Undercut



TORX® DRIVE FLAT HEADS FOR MACHINE SCREWS							Camcar
Nominal Size	G		T	B	F	Fallaway	Torx® Driver Size
	Head Diameter		Head Height	Recess Diameter	Gauge Penetration	Max	
	Max	Min	Ref	Ref	Min		
2	.172	.147	.051	.069	.017	.014	T6
4	.225	.195	.067	.094	.028	.018	T8
5	.252	.220	.075	.111	.035	.022	T10
6	.279	.244	.083	.111	.035	.022	T10
8	.332	.292	.100	.132	.040	.026	T15
10	.385	.340	.116	.155	.050	.031	T20
12	.438	.389	.132	.178	.055	.036	T25
1/4	.507	.452	.153	.200	.075	.040	T27
5/16	.635	.568	.191	.266	.087	.047	T40
3/8	.762	.685	.230	.266	.115	.055	T40



TORX® DRIVE FLAT UNDERCUT HEADS FOR MACHINE SCREWS									Camcar
Nominal Size	A		H		B	F		R	Torx® Driver Size
	Head Diameter		Head Height		Recess Diameter	Protrusion Above Gauging Diameter		Recess Penetration Gauging Depth	
	Max	Min	Max	Min	Ref	Max	Min	Max	
4	.225	.195	.047	.038	.094	.032	.019	.020	T8
6	.279	.244	.059	.048	.111	.036	.021	.024	T10
8	.332	.292	.070	.058	.132	.039	.023	.035	T15
10	.385	.340	.081	.068	.155	.042	.025	.045	T20
12	.438	.389	.092	.078	.178	.045	.027	.050	T25
1/4	.507	.452	.107	.092	.200	.050	.029	.055	T27

Torx® is a registered trademark of the Camcar Corporation, division of Textron Industries.