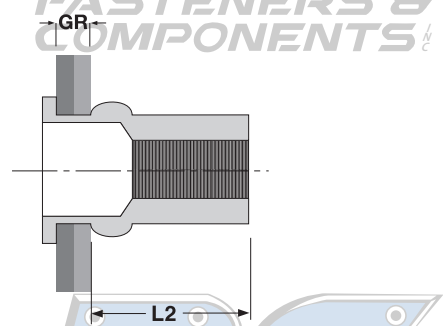
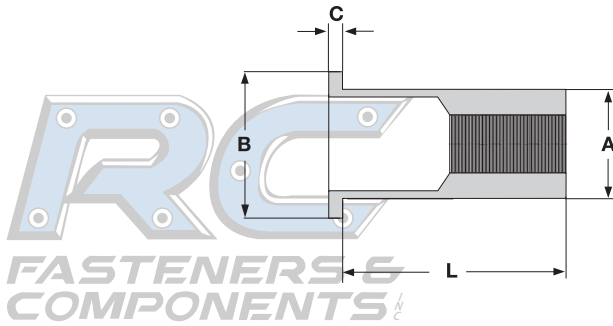


**RIVET NUTS (Blind Threaded Inserts)**

**Large Flange,  
Smooth Body**



**FLAT HEAD, NON-RIBBED BLIND THREADED INSERT**

Thread Size	GR	L		A		B		C	Hole Size		L2
	Grip Range	Body Length		Body Diameter		Head Diameter		Head Height			Installed Length
		Max	Min	Max	Min	Max	Min	Nom	Max	Min	Ref
M3 x 0.5 ISO	0.25 - 1.00	8.38	7.62	3.93	3.83	7.06	6.30	0.63	4.02	3.94	5.61
M3 x 0.5 ISO	1.00 - 1.75	9.13	8.37	3.93	3.83	7.06	6.30	0.63	4.02	3.94	5.61
M4 x 0.7 ISO	0.25 - 2.00	11.38	10.62	5.61	5.51	9.39	8.63	0.81	5.68	5.60	7.08
M4 x 0.7 ISO	2.00 - 3.00	12.38	11.62	5.61	5.51	9.39	8.63	0.81	5.68	5.60	7.08
M5 x 0.8 ISO	2.00 - 3.50	16.38	15.62	7.13	7.03	11.55	10.79	1.22	7.28	7.20	10.09
M5 x 0.8 ISO	3.50 - 5.00	17.88	17.12	7.13	7.03	11.55	10.79	1.22	7.28	7.20	10.09
M6 x 1.0 ISO	2.00 - 3.50	17.38	16.62	8.43	8.33	13.81	13.05	1.47	8.58	8.50	10.58
M6 x 1.0 ISO	3.50 - 5.00	18.88	18.12	8.43	8.33	13.81	13.05	1.47	8.58	8.50	10.58
M8 x 1.25 ISO	3.00 - 5.00	20.38	19.62	10.48	10.38	17.03	16.27	1.57	10.58	10.50	11.83
M8 x 1.25 ISO	5.00 - 7.00	22.38	21.62	10.48	10.38	17.03	16.27	1.57	10.58	10.50	11.83

<b>Description</b>	A cylindrical internally threaded fastener with a thicker wall in the area where the insert collapses. The fastener is open at both ends with a circular flange at one end that can be installed into a prepared hole from the blind side of the ultimate fastening. Insert is threaded onto mandrel of installation tool and positioned into hole. As mandrel is pulled back, the insert is expanded into the base material it is now gripping. Installation is complete when the mandrel of the tool is removed from the set insert.
<b>Applications / Advantages</b>	One popular use is as a leg leveler. Large flange provides a greater bearing surface that increases push-out strength.
<b>Material</b>	Aluminum: 6053 or 5056 Aluminum alloy Steel: 1108 or 1110 Steel