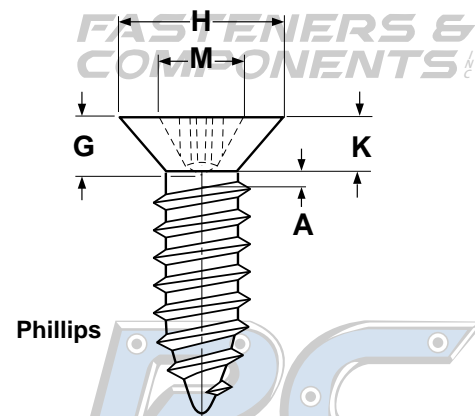
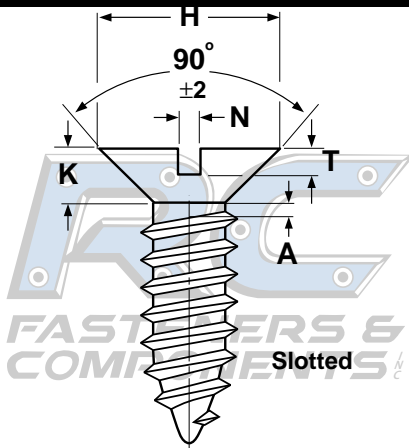


Flat Head

METRIC

Self - Tapping Screws



METRIC - PHILLIPS FLAT HEADS FOR SELF-TAPPING SCREWS									ISO 7050
Nominal Diameter	Thread Pitch	A	H		K	M	G		Phillips Driver Size
		Distance from underside of head to 1st major diam of thread	Head Diameter		Head Height	Recess Diameter	Recess Penetration		
			Max	Max	Min	Max	Ref	Max	
ST 2.2	0.8	0.8	3.8	3.5	1.1	1.9	1.2	0.9	0
ST 2.9	1.1	1.1	5.5	5.2	1.7	3.2	2.1	1.7	1
ST 3.5	1.3	1.3	7.3	6.9	2.35	4.4	2.4	1.9	2
ST 4.2	1.4	1.4	8.4	8	2.6	4.6	2.6	2.1	2
ST 4.8	1.6	1.6	9.3	8.9	2.8	5.2	3.2	2.7	2
ST 5.5	1.8	1.8	10.3	9.9	3	6.6	3.3	2.8	3
ST 6.3	1.8	1.8	11.3	10.9	3.15	6.8	3.5	3	3
ST 8	2.1	2.1	15.8	15.4	4.65	8.9	4.6	4	4
ST 9.5	2.1	2.1	18.3	17.8	5.25	10	5.7	5.1	4

METRIC - SLOTTED FLAT HEADS FOR SELF-TAPPING SCREWS									ISO 1482
Nominal Diameter	Thread Pitch	A	H		K	N		T	
		Distance from underside of head to 1st major diam of thread	Head Diameter		Head Height	Slot Width		Slot Depth	
			Max	Max	Min	Max	Max	Min	Max
ST 2.2	0.8	0.8	4.4	3.8	1.1	0.7	0.56	0.6	0.4
ST 2.9	1.1	1.1	6.3	5.5	1.7	1	0.86	0.85	0.6
ST 3.5	1.3	1.3	8.2	7.3	2.35	1.2	1.06	1.2	0.9
ST 4.2	1.4	1.4	9.4	8.4	2.6	1.51	1.26	1.3	1
ST 4.8	1.6	1.6	10.4	9.3	2.8	1.51	1.26	1.4	1.1
ST 5.5	1.8	1.8	11.5	10.3	3	1.91	1.66	1.5	1.1
ST 6.3	1.8	1.8	12.6	11.3	3.15	1.91	1.66	1.6	1.2
ST 8	2.1	2.1	17.3	15.8	4.65	2.31	2.06	2.3	1.8
ST 9.5	2.1	2.1	20	18.3	5.25	2.81	2.56	2.6	2