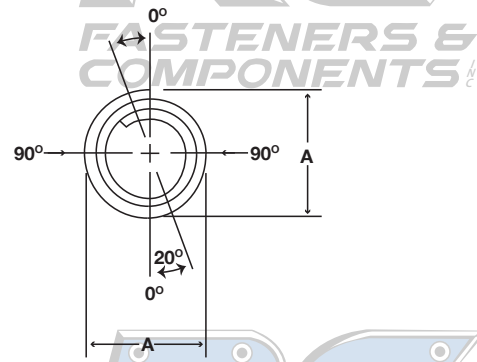
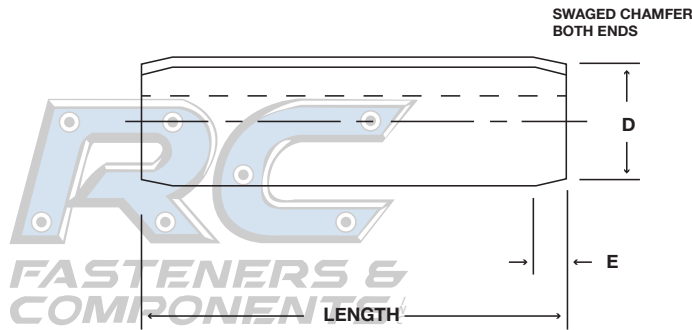


SPRING PINS

Coiled Type



COILED SPRING PINS — STANDARD DUTY

ASME
B18.8.2
(2010)

Nominal Size or Basic Pin Diameter	A		D	E	Recommended Hole Size		Double Shear Load		
	Pin Diameter		Chamfer Diam.	Chamfer Length			SAE 1070-1095 Steel & 420 Stainless Steel	303 Stainless Steel	
	Max	Min	Max	Ref	Max	Min			
1/16	0.062	0.072	0.067	0.059	0.028	0.065	0.061	330	265
5/64	0.078	0.088	0.083	0.075	0.032	0.081	0.077	550	425
3/32	0.094	0.105	0.099	0.091	0.038	0.097	0.093	775	600
1/8	0.125	0.138	0.131	0.121	0.044	0.129	0.124	1,400	1,100
5/32	0.156	0.171	0.163	0.152	0.048	0.160	0.155	2,200	1,700
3/16	0.188	0.205	0.196	0.182	0.055	0.192	0.185	3,150	2,400
7/32	0.219	0.238	0.228	0.214	0.065	0.224	0.217	4,200	3,300
1/4	0.250	0.271	0.260	0.243	0.065	0.256	0.247	5,500	4,300
5/16	0.312	0.337	0.324	0.304	0.080	0.319	0.308	8,700	6,700
3/8	0.375	0.403	0.388	0.366	0.095	0.383	0.370	12,600	9,600

Tolerance on Length	Nominal Pin Size	Nominal Pin Length		
		Up to 2", incl.	Over 2 to 3", incl	Over 3"
	1/16 thru 3/8	± 0.010	± 0.015	± 0.025

Description	A hollow, headless pin with chamfered ends, formed or wrapped from steel sheet to a diameter slightly greater than the basic. It is distinguishable from the slotted pin variety in that it has multiple walls.		
Applications/ Advantages	Upon installation, the pin diameters contract and press against the sides of the hole. This outward pressure holds the pin in place. The coiled pin is more flexible than the slotted variety making it preferable when used in softer materials. Coiled pins are easier to install than slotted pins and are superior in their ability to withstand vibration following installation.		
Material	Steel	Stainless	
	1070 - 1095 Steel	420 Stainless	303 Stainless
Hardness	Stock Thickness Range: Over 0.001 thru 0.010: Vickers 420 - 545 Over 0.010 thru 0.025: Rockwell 15N 82 - 86.4 Over 0.025 thru 0.050: Rockwell A 72 - 76.8 Over 0.050 thru 0.094: Rockwell C 43 - 52	Stock Thickness Range: Over 0.001 thru 0.010: Vickers 460 - 560 Over 0.010 thru 0.025: Rockwell 15N 83.5 - 86.9 Over 0.025 thru 0.050: Rockwell A 73.6 - 77.4 Over 0.050 thru 0.094: Rockwell C 46 - 53	Work hardened only
Shear Load	Spring pins shall be capable of withstanding the minimum double shear loads specified in the above table.		
Plating	See Appendix-A for plating information.		