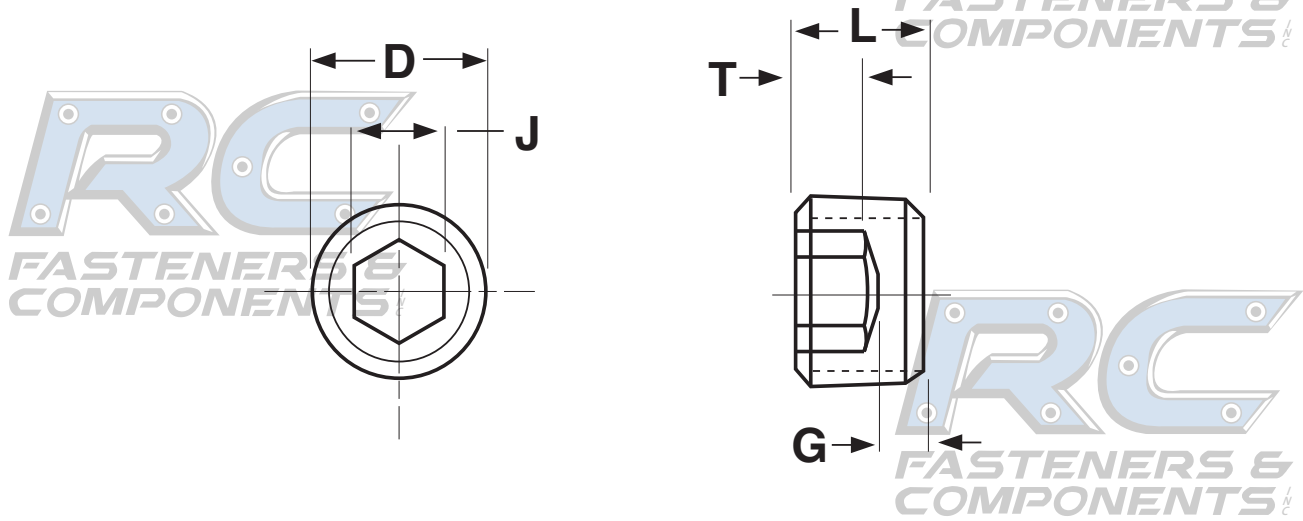


PIPE PLUGS Dry Seal



SOCKET PIPE PLUGS - DRY SEAL									ANSI B1.20.3
Nominal Size	D Nominal Outside Diameter	Threads Per Inch	J Hex Socket Size	T	G	L		Tightening Torque (Inch - Lbs)	Tap Drill Size*
				Key Engagement Min	Wall Thickness Min	Max	Min		
1/16	0.3120	27	5/32	.1400	.0620	.3240	.3000	150	15/64
1/8	0.4050	27	3/16	.1400	.0620	.3240	.3000	250	21/64
1/4	0.5400	18	1/4	.2180	.0730	.4570	.4170	600	27/64
3/8	0.6750	18	5/16	.2500	.0840	.5200	.4800	1200	9/16
1/2	0.8400	14	3/8	.3120	.0950	.5820	.5420	1800	11/16
3/4	1.0500	14	9/16	.3120	.1250	.6450	.6050	3000	57/64
1	1.3150	11-1/2	5/8	.3750	.1250	.7700	.7300	4200	1-1/8
1-1/4	1.6600	11-1/2	3/4	.4370	.1560	.8320	.7920	5400	37.5MM

*Taper reaming after drilling is recommended for tapping ease and to give fully formed, uniform threads.

Description	A dry seal plug is one having a tapered (0.750" diametral per 12") thread extending its entire length and designed to have its threads mesh tightly with those of a taper-threaded hole. Both ends of the plug shall be flat and chamfered approximately 45°. The chamfer shall extend slightly below the root of the thread, and the edge between flat and chamfer shall be slightly rounded.	
Applications/ Advantages	The thread truncation is closely controlled at root and crest to assure metal to metal contact, preventing spiral leakage and forming a positive seal without the use of sealing compounds. Dry seal plugs can be used in American Standard Taper Dryseal Pipe Thread (NPT) tapped holes, but for fullest protection against leakage, should be used in dryseal tapped holes which are taper reamed before tapping.	
Material	High grade alloy steel	Commercial brass
Heat Treatment	Pipe plugs shall be heat-treated by quenching in oil from above the hardening temperature and tempered to achieve the hardness requirement listed below.	-
Hardness	Rockwell C36 - 43	-
Finish	Plugs are supplied with a standard black finish.	Plugs are supplied plain.