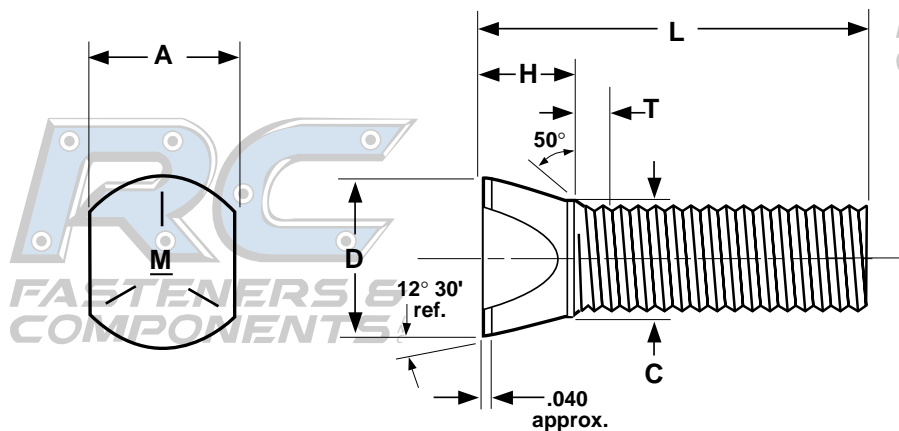


Cap Screws & Bolts

Plow Bolts

Clipped Head



Plow Bolts, Clipped Head

Nominal Size or Basic Bolt Diameter	A		D		H	C		T	
	Width Across Flats		Full Head Diameter		Head Height	Diameter at Base of Head		Imperfect Thread Length	
	Max	Min	Max	Min	Max	Max	Min	Max	
3/8-16	0.3750	.470	.445	.565	.535	.350	.455	.440	.156
7/16-14	0.4375	.510	.495	.620	.590	.350	.510	.495	.178
1/2-13	0.5000	.570	.555	.680	.650	.350	.570	.555	.192
Tolerance on Length					± .062				

Description	Bolt with a countersunk, flat head, round neck and unified thread pitch, made from medium-carbon steel. The distinguishing characteristic of this part is the way the head diameter is reduced at opposite sides with equal sized sections removed, leaving two flat sides.
Applications/ Advantages	Used primarily in agricultural equipment.
Material	Grade-5 Clipped head Plow Bolts shall be made from a medium carbon steel which conforms to the following chemical composition requirements: <i>Carbon</i> : 0.25% to 0.58%; <i>Manganese</i> : 0.060% minimum; <i>Phosphorus</i> : 0.048% maximum; <i>Sulphur</i> : 0.058% maximum.
Heat Treatment	Grade-5 Clipped head Plow Bolts shall be heat treated by quenching in a liquid medium from above the transformation temperature and tempered at a minimum tempering temperature of 800°F.
Hardness	Rockwell C25 - C34
Yield Strength	92,000 psi.
Tensile Strength	120,000 psi. minimum
Reduction of Area	35% minimum
Plating	See Appendix-A for plating information.