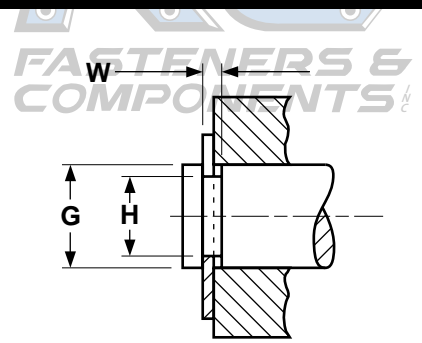
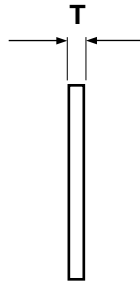
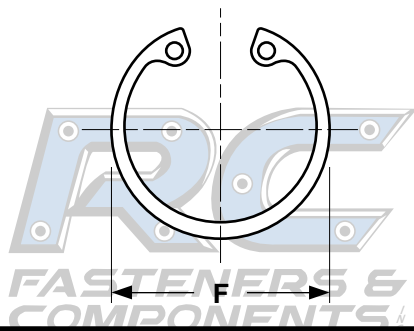


# Retaining Rings

## Internal Type

Carbon Spring Steel  
& Stainless Steel



INTERNAL TYPE RETAINING RINGS								Rotor Clip®
Carbon Steel		Stainless Steel		H	G	W	F	T
Kanebridge Part Number	Waldes Part Number	Kanebridge Part Number	Waldes Part Number	Housing Diameter	Groove Diameter	Groove Width	Free Diameter	Thickness
25RIBP	N5000-25STPP	25RISS	N5000-25H	0.250	0.268	0.020	0.280	0.015
31RIBP	N5000-31STPP	31RISS	N5000-31H	0.312	0.330	0.020	0.346	0.015
37RIBP	N5000-37STPP	37RISS	N5000-37H	0.375	0.397	0.029	0.415	0.025
43RIBP	N5000-43STPP	43RISS	N5000-43H	0.438	0.461	0.029	0.482	0.025
50RIBP	N5000-50STPP	50RISS	N5000-50H	0.500	0.530	0.039	0.548	0.035
56RIBP	N5000-56STPP	56RISS	N5000-56H	0.562	0.596	0.039	0.620	0.035
62RIBP	N5000-62STPP	62RISS	N5000-62H	0.625	0.665	0.039	0.694	0.035
68RIBP	N5000-68STPP	68RISS	N5000-68H	0.688	0.732	0.039	0.763	0.035
75RIBP	N5000-75STPP	75RISS	N5000-75H	0.750	0.796	0.039	0.831	0.035
81RIBP	N5000-81STPP	81RISS	N5000-81H	0.812	0.862	0.046	0.901	0.042
87RIBP	N5000-87STPP	87RISS	N5000-87H	0.875	0.931	0.046	0.971	0.042
93RIBP	N5000-93STPP	93RISS	N5000-93H	0.938	1.000	0.046	1.041	0.042
100RIBP	N5000-100STPP	100RISS	N5000-100H	1.000	1.066	0.046	1.111	0.042
106RIBP	N5000-106STPP	106RISS	N5000-106H	1.062	1.130	0.056	1.180	0.050
112RIBP	N5000-112STPP	112RISS	N5000-112H	1.125	1.197	0.056	1.249	0.050
118RIBP	N5000-118STPP	118RISS	N5000-118H	1.181	1.255	0.056	1.319	0.050
125RIBP	N5000-125STPP	125RISS	N5000-125H	1.250	1.330	0.056	1.388	0.050
131RIBP	N5000-131STPP	131RISS	N5000-131H	1.312	1.396	0.056	1.456	0.050
137RIBP	N5000-137STPP	137RISS	N5000-137H	1.375	1.461	0.056	1.526	0.050
143RIBP	N5000-143STPP	143RISS	N5000-143H	1.438	1.528	0.056	1.596	0.050
150RIBP	N5000-150STPP	150RISS	N5000-150H	1.500	1.594	0.056	1.660	0.050
156RIBP	N5000-156STPP	156RISS	N5000-156H	1.562	1.658	0.068	1.734	0.062
162RIBP	N5000-162STPP	162RISS	N5000-162H	1.625	1.725	0.068	1.804	0.062
168RIBP	N5000-168STPP	168RISS	N5000-168H	1.688	1.792	0.068	1.874	0.062
175RIBP	N5000-175STPP	175RISS	N5000-175H	1.750	1.858	0.068	1.942	0.062
181RIBP	N5000-181STPP	181RISS	N5000-181H	1.812	1.922	0.068	2.012	0.062
187RIBP	N5000-187STPP	187RISS	N5000-187H	1.875	1.989	0.068	2.072	0.062
193RIBP	N5000-193STPP	193RISS	N5000-193H	1.938	2.056	0.068	2.141	0.062
200RIBP	N5000-200STPP	200RISS	N5000-200H	2.000	2.122	0.068	2.210	0.062

®Rotor Clip is a registered trademark of Rotor Clip Company Inc.

INTERNAL TYPE RETAINING RINGS (CONTINUED)								Rotor Clip®
Carbon Spring Steel		Stainless Steel		H	G	W	F	T
Kanebridge Part Number	Waldes Part Number	Kanebridge Part Number	Waldes Part Number	Housing Diameter	Groove Diameter	Groove Width	Free Diameter	Thickness
206RIBP	N5000-206STPP	-	N5000-206H	2.062	2.186	0.086	2.280	0.078
212RIBP	N5000-212STPP	-	N5000-212H	2.125	2.251	0.086	2.350	0.078
218RIBP	N5000-218STPP	-	N5000-218H	2.188	2.318	0.086	2.415	0.078
225RIBP	N5000-225STPP	-	N5000-225H	2.250	2.382	0.086	2.490	0.078
231RIBP	N5000-231STPP	-	N5000-231H	2.312	2.450	0.086	2.560	0.078
237RIBP	N5000-237STPP	-	N5000-237H	2.375	2.517	0.086	2.630	0.078
244RIBP	N5000-244STPP	-	N5000-244H	2.440	2.584	0.086	2.702	0.078
250RIBP	N5000-250STPP	-	N5000-250H	2.500	2.648	0.086	2.775	0.078
256RIBP	N5000-256STPP	-	N5000-256H	2.562	2.714	0.103	2.844	0.093
262RIBP	N5000-262STPP	-	N5000-262H	2.625	2.781	0.103	2.910	0.093
268RIBP	N5000-268STPP	-	N5000-268H	2.688	2.848	0.103	2.980	0.093
275RIBP	N5000-275STPP	-	N5000-275H	2.750	2.914	0.103	3.050	0.093
281RIBP	N5000-281STPP	-	N5000-281H	2.812	2.980	0.103	3.121	0.093
287RIBP	N5000-287STPP	-	N5000-287H	2.875	3.051	0.103	3.191	0.093
300RIBP	N5000-300STPP	-	N5000-300H	3.000	3.182	0.103	3.325	0.093

<b>Description</b>	A ring-shaped stamping with one opening on the circumference. The two ends at the opening are called lugs and flare slightly into the groove. When the lugs are released, contact is made with the grooved housing.	
<b>Applications/Advantages</b>	Tapered section design assures constant moment and, therefore, uniform circular deformation; allows for complete contact and tightness in groove. The internal design is for axial installation into machined grooves in housings and bores. Steel rings can be safely used within a temperature range of -100°F to 500°F. Stainless steel rings are corrosion resistant & can be used in higher heat applications from -100°F to 900°F.	
<b>Material</b>	Steel: Carbon spring steel SAE 1060 - 1090	Stainless: Precipitation Hardened Alloy 15% Chromium, 7% Nickel, 2% Molybdenum
<b>Heat Treatment</b>	Retaining rings are heat treated using the austempering method. Rings are uniformly heated to temperatures over 1500° F. They are then isothermally quenched in a molten salt bath at 600° F for 35 minutes. This results in parts with a bainite structure characterized by good mechanical properties.	
<b>Hardness</b>	<p><b>Steel</b></p> <p>Sizes 25 &amp; 31: Rockwell 15N 86 - 88</p> <p>Sizes 37 - 51: Rockwell 30N 69.5 - 73</p> <p>Sizes 56 - 77: Rockwell 30N 67.5 - 72</p> <p>Sizes 81 - 102: Rockwell 30N 66 - 71</p> <p>Sizes 106 - 347: Rockwell C 47 - 52</p>	<p><b>Stainless</b></p> <p>Sizes 25 &amp; 31: Rockwell 15N 82.5 - 86</p> <p>Sizes 37 - 102: Rockwell 30N 63 - 69.5</p> <p>Sizes 106 &amp; over: Rockwell C 44 - 51</p>
<b>Tensile Strength</b>	-	Stainless: 225,000 psi. minimum
<b>Finish</b>	See Appendix-A for information on the coating of retaining rings.	