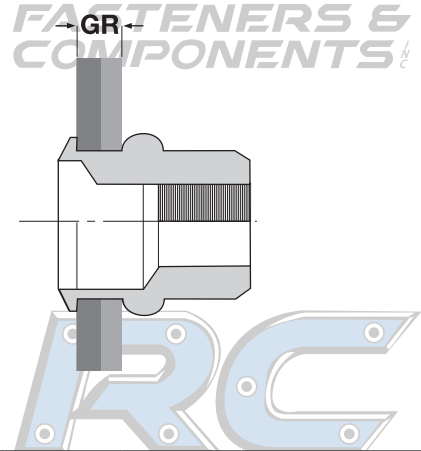
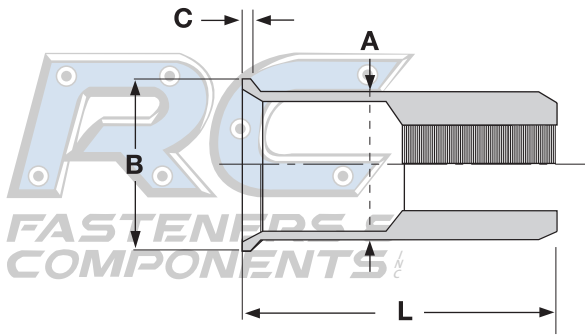


**Smooth Body,
Small Head** **RIVET NUTS (Blind Threaded Inserts)**



SMALL HEAD, LOW PROFILE BLIND THREADED INSERTS								
Thread Size- Ultimate Grip	L		A	B		Hole Size		Grip Range
	Body Length		Body Diameter	Head Diameter				
	Max	Min	Max	Max	Min	Max	Min	
6-32-.080	.415	.385	.249	.287	.267	.254	.250	.020-.080
8-32-.080	.415	.385	.249	.287	.267	.254	.250	.020-.080
10-24-.130	.465	.435	.280	.320	.300	.285	.281	.020-.130
10-24-.225	.575	.545	.280	.320	.300	.285	.281	.125-.225
10-32-.130	.465	.435	.280	.320	.300	.285	.281	.020-.130
10-32-.225	.575	.545	.280	.320	.300	.285	.281	.125-.225
1/4-20-.130	.610	.580	.374	.415	.395	.379	.375	.030-.130
1/4-20-.165	.610	.580	.374	.415	.395	.379	.375	.030-.165
1/4-28-.165	.610	.580	.374	.415	.395	.379	.375	.030-.165
5/16-18-.200	.720	.690	.499	.540	.510	.504	.500	.040-.200
5/16-18-.312	.835	.805	.499	.540	.510	.504	.500	.185-.312
3/8-16-.200	.720	.690	.499	.540	.510	.504	.500	.040-.200

Description	A cylindrical internally threaded fastener, open at both ends with a low profile head at one end and a short, chamfered lead at the opposite end. It can be installed into a prepared hole from the blind side of the ultimate fastening. The outer surface of the insert is smooth. The insert is threaded onto mandrel of installation tool and positioned into hole. As mandrel is pulled back, the insert is expanded into the base material it is now gripping. Installation is complete when the mandrel of the tool is removed from the set insert.
Applications / Advantages	Ease of installation makes blind threaded inserts a low-cost way to provide threaded holes in thin sheet metal. Low profile head design enables insert to be nearly flush once it is set in place.
Material	<p>Aluminum: 5056 Aluminum or ALMG 3 alloy</p> <p>Steel: 1006 - 1008 low carbon steel</p> <p>Stainless: Type 303 Stainless Steel</p>