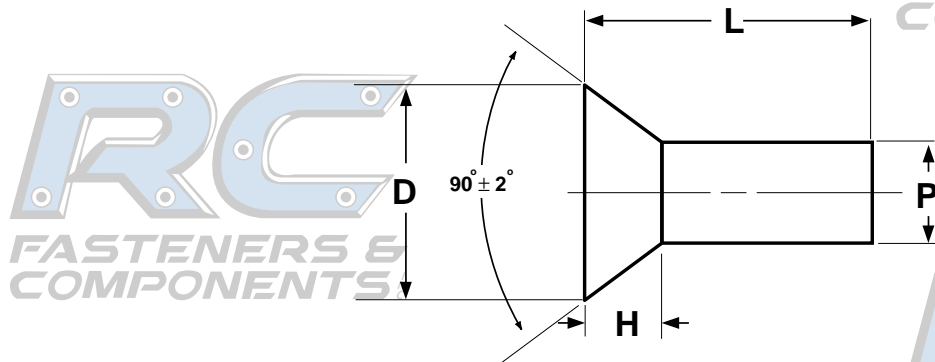


Flat Countersunk Head

Solid Rivets

Rivets



SOLID RIVETS, FLAT COUNTERSUNK HEAD						ANSI/ASME B18.1.1
Nominal Size or Basic Shank Diameter		P		D		H
		Shank Diameter		Head Diameter		Head Height
		Max	Min	Max	Min	Ref
1/16	0.062	0.064	0.059	0.118	0.110	0.027
3/32	0.094	0.096	0.090	0.176	0.163	0.040
1/8	0.125	0.127	0.121	0.235	0.217	0.053
5/32	0.156	0.158	0.152	0.293	0.272	0.066
3/16	0.188	0.191	0.182	0.351	0.326	0.079
7/32	0.219	0.222	0.213	0.413	0.384	0.094
1/4	0.250	0.253	0.244	0.469	0.437	0.106
9/32	0.281	0.285	0.273	0.528	0.491	0.119
5/16	0.312	0.316	0.304	0.588	0.547	0.133
11/32	0.344	0.348	0.336	0.646	0.602	0.146
3/8	0.375	0.380	0.365	0.704	0.656	0.159
13/32	0.406	0.411	0.396	0.763	0.710	0.172
7/16	0.438	0.443	0.428	0.823	0.765	0.186
Tolerance on Length				Plus		Minus
				0.016		0.016

Description	A small, countersunk, flat-head metal fastener having no internal cavity, made of a malleable material.
Applications/Advantages	Designed to permanently join two or more pieces of metal with pre-drilled holes. Countersunk head design is preferred when moving parts must pass over the fastened area.
Material	Grade 0 solid rivets shall be made from steel which conforms to the following chemical composition ladle analysis: <i>Phosphorous: 0.040% maximum; Sulfur: 0.050% maximum</i>
Hardness	Rockwell B 65 maximum
Tensile Strength	40,000 - 55,000 psi.
Yield Point	23,000 psi., minimum
Elongation in 8 in.	27%, minimum