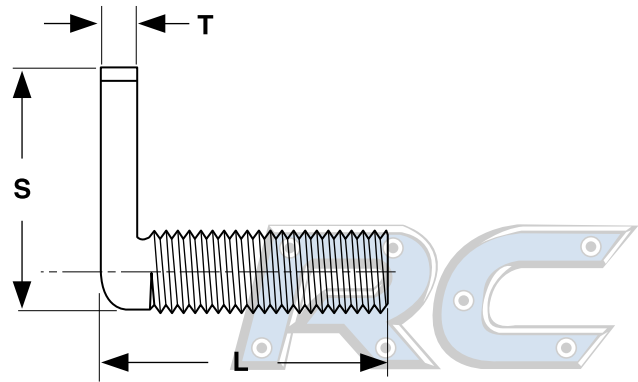
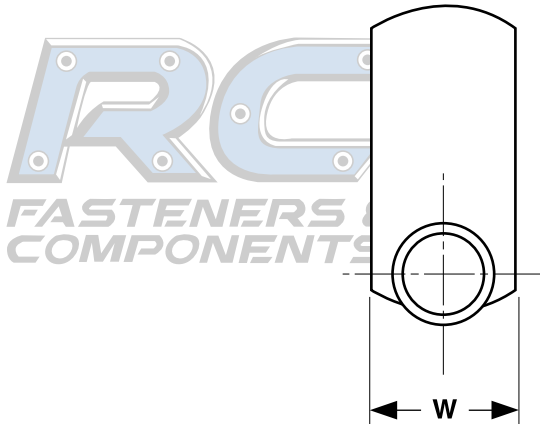


Weld Screws

Flat 90° Spade

No Projections



SPOT WELD SCREWS, FLAT 90° SPADE

Paulin®

Thread Size	W		T		S
	Spade Width		Spade Thickness		Spade Length
	Ref	Max	Min	Ref	
6-32	.218	.052	.042	.562	
8-32	.250	.068	.058	.625	
10-24	.312	.068	.058	.688	
10-32	.343	.068	.058	.688	
1/4-20	.375	.099	.089	.750	
Tolerance on Length	Under 1": + .000, -.031		1" to 2": + .000, -.060		

Description	An externally threaded fastener with a Unified thread. The spade-shaped head is at a 90° angle to one side of the threaded shank
Applications / Advantages	This item allows the welder to use various electrode tips, reducing the amount of equipment changes. Ideal for use in confined areas such as corners with limited clearance, or in applications requiring the threaded area be offset from the welding area.
Material	1006 - 101 low carbon steel
Tensile Strength	60,000 psi. minimum
Finish	Weld screws are supplied with a plain, unplated finish to facilitate welding.