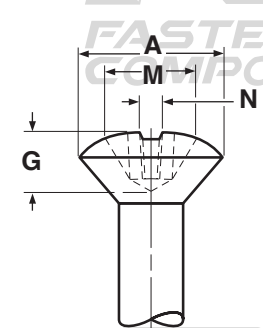
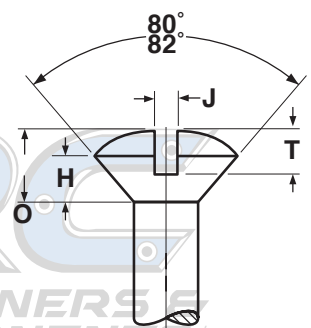


## ROUND HEADS FOR WOOD SCREWS

ASME B18.6.1

| Nominal Size | A             |      | H              |      | J             |      | T             |      | M                    |      | G    |      | N    | Phillips Driver Size |
|--------------|---------------|------|----------------|------|---------------|------|---------------|------|----------------------|------|------|------|------|----------------------|
|              | Head Diameter |      | Height of Head |      | Width of Slot |      | Depth of Slot |      | Dimensions of Recess |      |      |      |      |                      |
|              | Max           | Min  | Max            | Min  | Max           | Min  | Max           | Min  | Max                  | Min  | Max  | Min  |      |                      |
| 2            | .162          | .146 | .069           | .059 | .031          | .023 | .048          | .037 | .114                 | .101 | .064 | .042 | .018 | 1                    |
| 4            | .211          | .193 | .086           | .075 | .039          | .031 | .058          | .044 | .130                 | .117 | .083 | .063 | .019 | 1                    |
| 5            | .236          | .217 | .095           | .083 | .043          | .035 | .063          | .047 | .154                 | .141 | .074 | .046 | .027 | 2                    |
| 6            | .260          | .240 | .103           | .091 | .048          | .039 | .068          | .051 | .162                 | .149 | .084 | .056 | .027 | 2                    |
| 7            | .285          | .264 | .111           | .099 | .048          | .039 | .072          | .055 | .170                 | .157 | .092 | .066 | .028 | 2                    |
| 8            | .309          | .287 | .120           | .107 | .054          | .045 | .077          | .058 | .178                 | .165 | .101 | .075 | .030 | 2                    |
| 9            | .334          | .311 | .128           | .115 | .054          | .045 | .082          | .062 | .186                 | .173 | .110 | .084 | .030 | 2                    |
| 10           | .359          | .334 | .137           | .123 | .060          | .050 | .087          | .065 | .195                 | .182 | .119 | .093 | .031 | 2                    |
| 12           | .408          | .382 | .153           | .139 | .067          | .056 | .096          | .073 | .249                 | .236 | .125 | .099 | .032 | 3                    |
| 14           | .457          | .429 | .170           | .155 | .075          | .064 | .106          | .080 | .265                 | .252 | .142 | .116 | .034 | 3                    |



## OVAL HEADS FOR WOOD SCREWS

ASME B18.6.1

| Nominal Size | A             |      | H           | O              |      | J             |      | T             |      | M                    |      | G    |      | N    | Phillips Driver Size |
|--------------|---------------|------|-------------|----------------|------|---------------|------|---------------|------|----------------------|------|------|------|------|----------------------|
|              | Head Diameter |      | Side Height | Height of Head |      | Width of Slot |      | Depth of Slot |      | Dimensions of Recess |      |      |      |      |                      |
|              | Max           | Min  |             | Ref            | Max  | Min           | Max  | Min           | Max  | Min                  | Max  | Min  | Max  |      |                      |
| 4            | .225          | .195 | .067        | .104           | .084 | .039          | .031 | .059          | .049 | .136                 | .123 | .094 | .077 | .019 | 1                    |
| 5            | .252          | .220 | .075        | .116           | .095 | .043          | .035 | .067          | .055 | .158                 | .145 | .085 | .061 | .028 | 2                    |
| 6            | .279          | .244 | .083        | .128           | .105 | .048          | .039 | .074          | .060 | .178                 | .165 | .105 | .080 | .030 | 2                    |
| 8            | .332          | .292 | .100        | .152           | .126 | .054          | .045 | .088          | .072 | .205                 | .192 | .131 | .106 | .033 | 2                    |
| 9            | .358          | .316 | .108        | .164           | .137 | .054          | .045 | .095          | .078 | .216                 | .203 | .144 | .119 | .034 | 2                    |
| 10           | .385          | .340 | .116        | .176           | .148 | .060          | .050 | .103          | .084 | .261                 | .248 | .142 | .118 | .037 | 3                    |
| 12           | .438          | .389 | .132        | .200           | .169 | .067          | .056 | .117          | .096 | .283                 | .270 | .165 | .140 | .040 | 3                    |