

FASTENING AND ASSEMBLY SOLUTIONS

PRODUCT CATALOG

NORTH AMERICA PREFERRED PRODUCTS

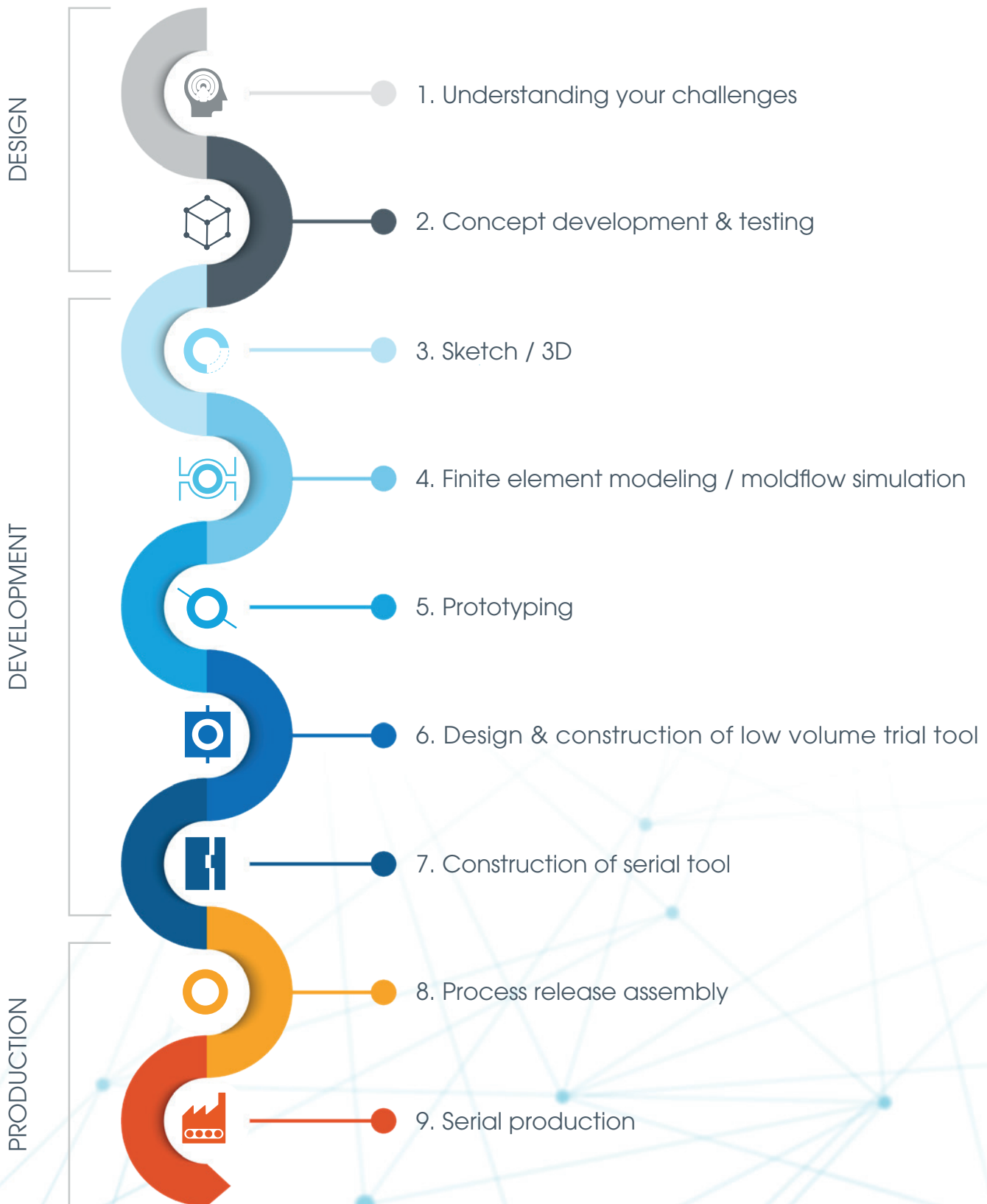
OUR ONLINE CATALOG

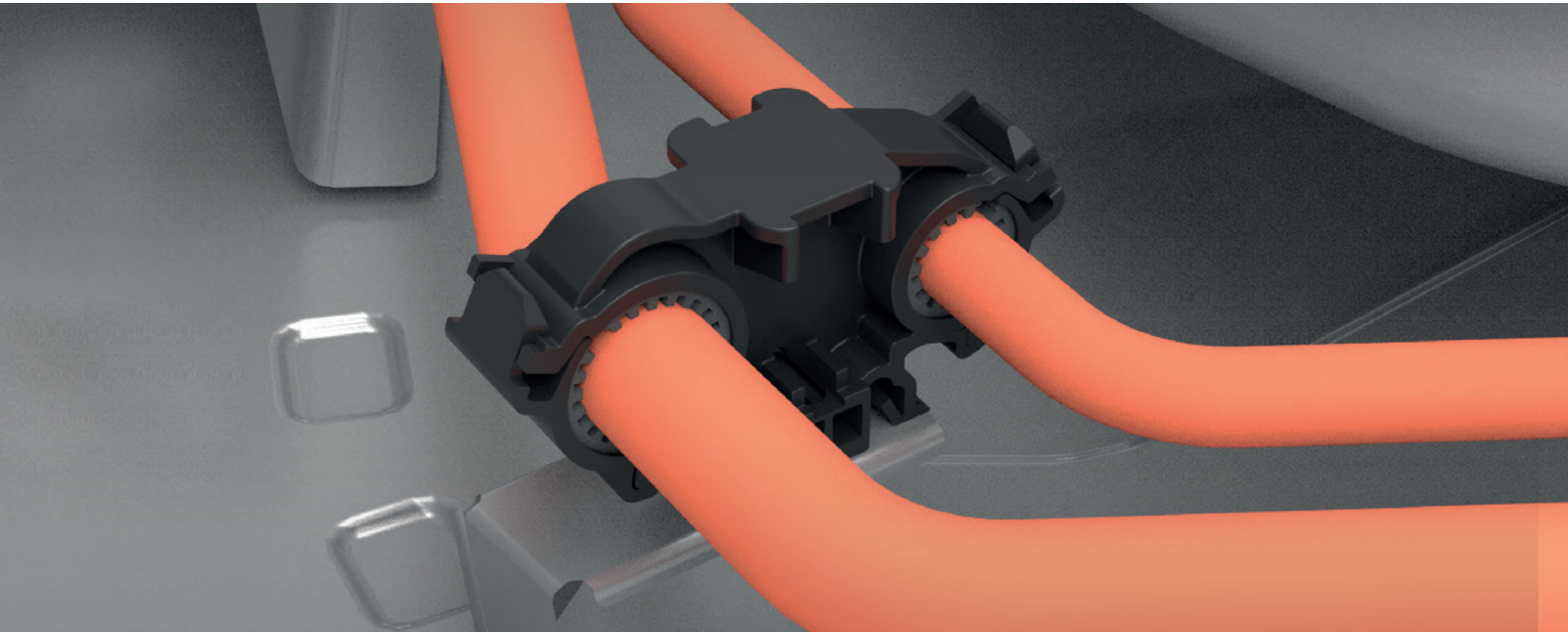


JOIN US ON OUR WEBSITE AND DISCOVER THE ONLINE CATALOG.

catalog.araymond-mobility.com

WE INVEST OUR TIME IN YOUR CHALLENGES





Our in-house technical expertise allows us to develop solutions that ensure:

- Sealing
- Abrasion resistance
- NVH and BSR reduction
- Secured fastener position



Ref. 221464

▶ PANEL CLIP



Ref. 253424

▶ ADAPTER 4-WAY



Ref. 230347

▶ CABLE STRAP



Ref. 254778

▶ CONNECTOR HOLDER



Ref. 221320

▶ TUBE HOLDER



Ref. 218163

▶ PASS THROUGH

STRENGTH MEETS SMART DESIGN

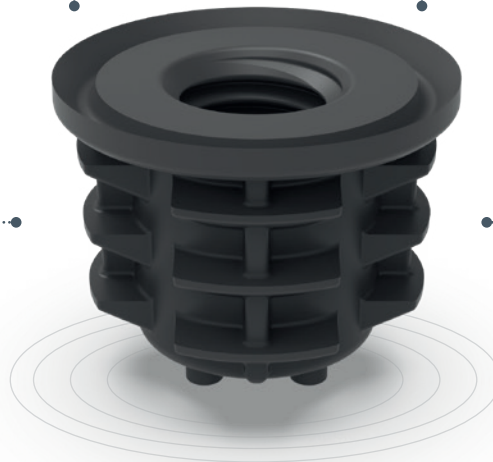
Whether you're looking to improve durability, simplify installation, or meet evolving industry standards, our solutions ensure your designs are as smart as they are strong.

Future-proof your fastening strategy

Designed with forward-thinking materials and processes to meet today's sustainability goals. Reduce total cost of ownership with fasteners that simplify production and maintenance.

Built for modern manufacturing

Compatible with automation for seamless integration into advanced production lines. Optimized fastening systems that meet evolving industry standards.



Strength without excess

High-strength solutions that deliver performance without unnecessary weight or bulk. Smart material choices that enhance durability while reducing unnecessary mass.

Optimize assembly, minimize waste

Designed for high performance fastening with fewer materials and reduced complexity. Streamlined designs that support lean manufacturing and efficient production lines.

ENGINEERING MADE SMARTER

DROP US A LINE AND ALLOW OUR ENGINEERS TO FIND YOU THE PERFECT FASTENING SYSTEM TAILORED TO YOUR APPLICATION.

With more than 160 years of engineering experience, ARaymond is a market leader and partner of choice for OEMs and TIER-1 suppliers worldwide.



GENERAL SUMMARY

CABLE & TUBE FASTENERS

Cable & tube straps	p.11
Adapters	p.24
Tape-on clips	p.25
High voltage routing	p.32
Cable & tube holders	p.34
Modular clips	p.50
Swivel tube holders	p.52

ELECTRICAL CONNECTOR HOLDERS

Connector holders	p.59
-------------------------	------

PANEL & TRIM FASTENERS

Pre-mounted panel fasteners	p.63
Panel pins	p.67

PROTECTING AND FINISHING

Metal anti-creeping rings, grommets, plugs	p.71
--	------

THREADED FASTENERS & STUD RETAINERS

Nuts	p.73
Push-on stud retainers	p.86

SPECIFIC DEVELOPMENTS

Eliminate screw operations	p.93
Cleaning solutions	p.94
Brackets	p.96
Cable channels	p.98
Covers & protectors	p.100
Complex parts & mechanisms	p.102
Closure bumpers	p.103

INDEX

Part number index	p.104
-------------------------	-------

CONTACTS	p.108
----------------	-------



INDUSTRIAL EXCELLENCE & CUSTOMER COLLABORATION

For over 160 years, ARaymond has built a strong reputation for quality by partnering with customers to design innovative automotive fastening and assembly components and systems.

We manage every step of the product development cycle in-house, ensuring quality, cost, and on-time delivery from our nearby plants.



METAL TRANSFORMATION

We master all major metal transformation processes (cutting, bending, stamping) in-house.

We personally handle all stages from design and production to surface finishing and quality control at our own plants.



PLASTIC INJECTION

We use over-molding and bi-injection (multi-material molding processes) compatible with over 300 thermoplastic materials. You can count on us for on-time delivery of high-volume plastic part orders. ARaymond plants are equipped with presses up to 1,000 tons and can produce up to 200 million units per year of a given part.



ASSEMBLY

Our manufacturing plants are equipped to handle manual, semi-automated, cycle-time optimized automated assembly, and motion assembly with throughput of up to 24,000 parts per hour.



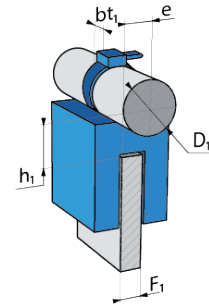
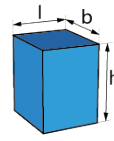
WORLDWIDE SUPPLY CHAIN MANAGEMENT

Effective and sustainable supply chain management is essential for suppliers to survive and thrive in the mobility industry. With ARaymond's 5 manufacturing facilities in North America and additional 24 plants in 22 other countries, our shipping teams stand ready to meet the growing demands of our OEM and Tier-1 partners around the world.

CABLE & TUBE FASTENERS

CABLE & TUBE STRAP

Panel edge



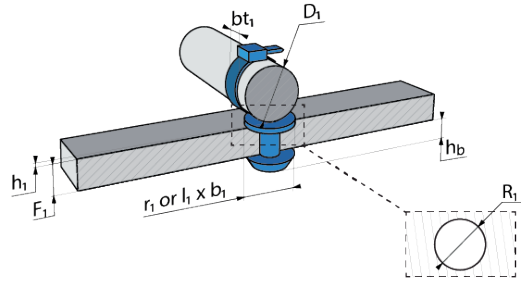
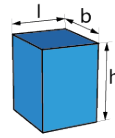
All dimensions in mm / Other dimensions and variants on request.

Ref.	Design	D1	F1	h1	e	bt1	l x b x h
082652		1.5-43	1.5-3.5	11.9		4.5	191 x 11.4 x 18.9
082651		1.5-43	1.5-3.5	11.9		4.6	188-194 x 11.4 x 18.9
082653		1.5-43	1.5-3.5	11.9	5.5	4.5	191 x 11.4 x 18.9
203870		8-33	1-3	12.45	0	4.5	140 x 15 x 26.3

CABLE & TUBE STRAP



Round hole



All dimensions in mm / Other dimensions and variants on request.






Ref.	Design	D1	R1	F1	h1	r1 or l1 x b1	hb	bt1	Features
224699		1-15	6.2-6.8	0.6-1.25	7.65	22.3	9	4.5	BI-INJECTION WATERPROOF
230346		1-15	6.2-6.8	1.25-2	7.65	22.3	9	4.5	BI-INJECTION WATERPROOF
164460		1-40	6.1-6.9	0.7-4	6.1	16	11.2-7.2	4.8	
164448		1-40	6.1-6.9	0.7-4	8	16	8.4	4.8	RESISTANT TO WATER RUN-OFF
175200		1-40	6.2-7.2	0.6-3	8	16	5.8-8.2	4.8	
236957		1-40	7.6-8.4	0.7-4	7	16 x 16	11.1	4.8	
213254		1-40	7.6-8.4	2-9.5	7.5	15.5-16.5	17	4.8	RESISTANT TO WATER RUN-OFF
235765		1-45	7.8-8.2	0.6-1.9	6	21.5	8	5	BI-INJECTION WATERPROOF

CABLE & TUBE STRAP

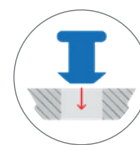
Round hole



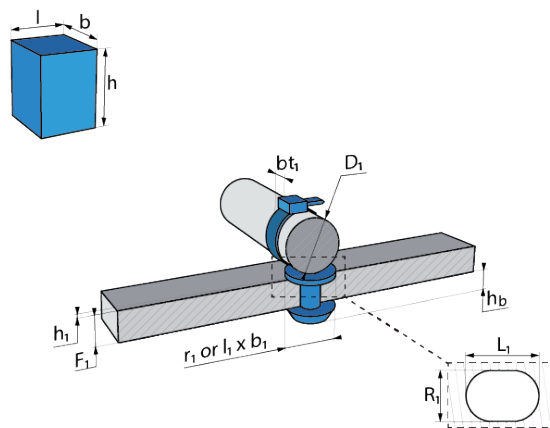
All dimensions in mm / Other dimensions and variants on request.

Ref.	Design	D1	R1	F1	h1	r1 or l1 x b1	hb	bt1	Features
235770		1-45	7.8-8.2	1.9-3.2	5	21.5	6.8	5	BI-INJECTION WATERPROOF
208910		8-33	5.2-5.4	1-9	12.15	16		4.5	RESISTANT TO WATER RUN-OFF
168922		8-33	7.6-8.4	2-9.5	12	16	17		
168811		8-50	6.5-6.7	0.8-5		16	12.8		
220263		8-50	12-12.2	0.8-6	12.2	24	12.1		

CABLE & TUBE STRAP



Oblong hole

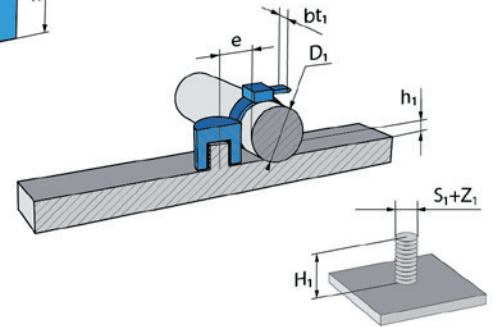
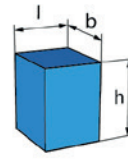
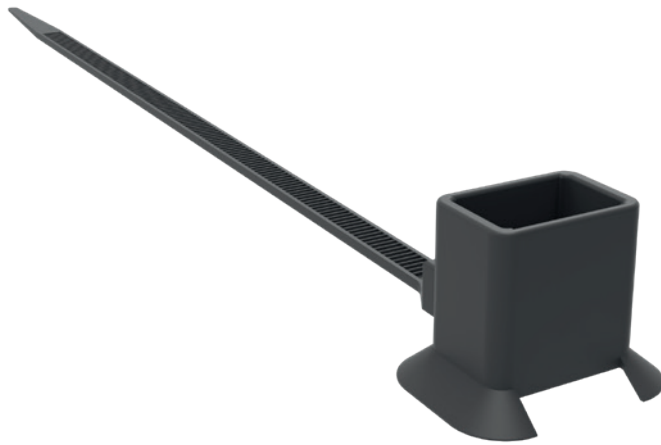
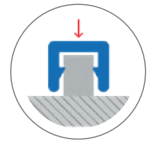


All dimensions in mm / Other dimensions and variants on request.

Ref.	Design	D1	L1 x R1	F1	l1 x b1	h1	hb	bt1	Features
200600		1-40	12.1-12.3 x 6.1-6.3	0.6-3	16 x 16	3	8.5	4.8	
235767		1-45	11.8-12.2 x 6.8-7.2	0.6-1.9	24.8 x 20.9	5	8.1	5	BI-INJECTION WATERPROOF
235769		1-45	11.8-12.2 x 6.8-7.2	1.9-3.2	24.8 x 20.9	6	6.8	5	BI-INJECTION WATERPROOF
224721		1-45	12.1-12.9 x 6.1-6.9	0.6-1.25	23.6 x 23.6	6.5	9.3	5	BI-INJECTION WATERPROOF
230347		1-45	12.1-12.9 x 6.1-6.9	1.25-2	23.6 x 19.7	2.5	6.8	5	BI-INJECTION WATERPROOF

CABLE & TUBE STRAP

Onto threaded stud



All dimensions in mm / Other dimensions and variants on request.

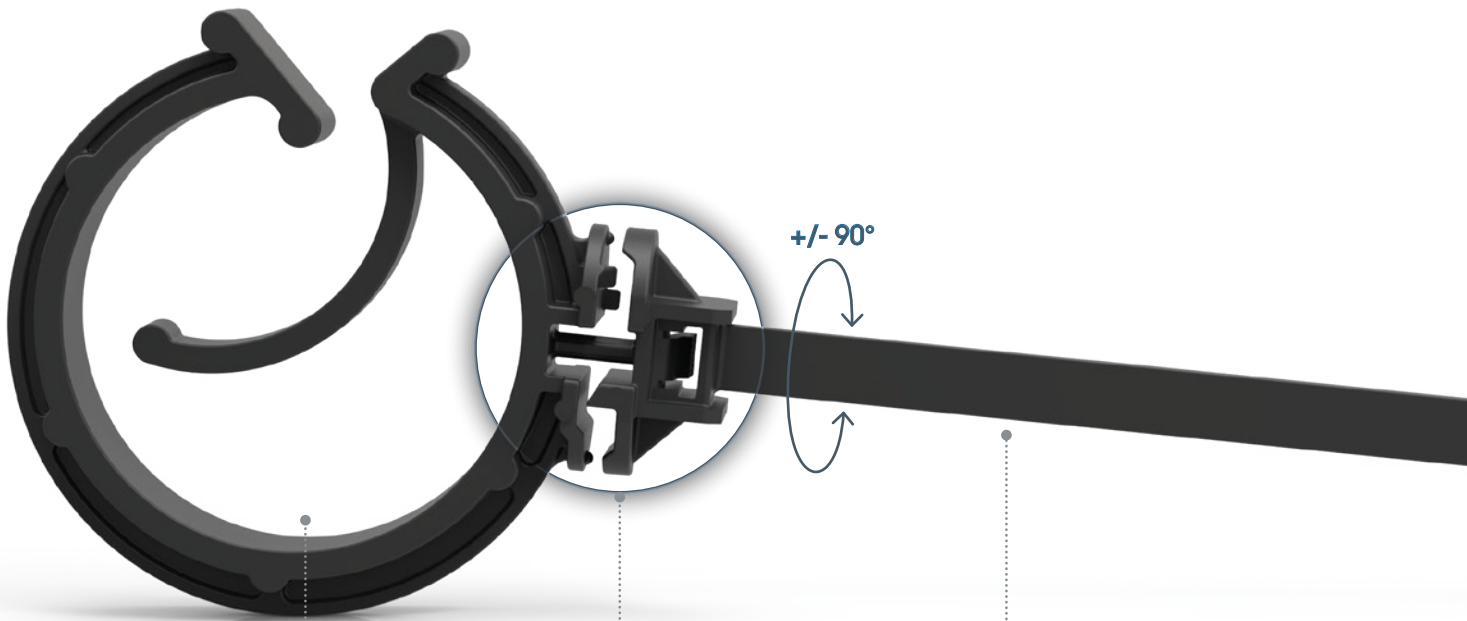
Ref.	Design	D1	S1	H1	h1	bt1	l x b x h
164459		1-40	M6 x 1,00	14.2	5	4.55	184.5 x 24 x 18.5
212461		2.5-41	T5 Stud	14.2	4	4.5	200 x 24 x 27.6
248379		8-33	M6 x 1,00	12	6	4.5	20.3 x 10 x 140
207507		8-33	M6 x 1,00	12	15	4.5	140 x 10 x 24.75

SINGLE MOLDED SWIVEL CLIPS

Optimized solution for wire harness

Robust, one piece design managing a large range of wire harness to pipe / hose fixing.

This innovative solution also has a swivel and a locking function at 90° for easy assembly.



Flexible finger to host a wide diameter range:

Ref. 235923: Ø 27-40 mm

Ref. 235922: Ø 17-27 mm

Ref. 235920: Ø 10-17 mm

Ref. 235918: Ø 6-10 mm

Ref. 235654: Ø 4-6 mm

Swivel and locking 90° in either direction

Cable strap suitable for diameters 1-40 mm

CABLE STRAPS



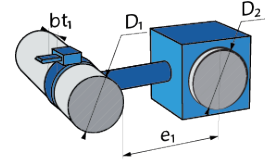
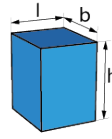
Double Cable Strap

Ref. 247295 - Ø from 4 to 50 mm

CABLE & TUBE STRAP



Wire to wire



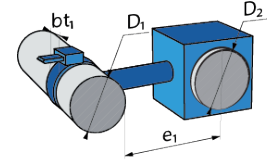
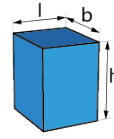
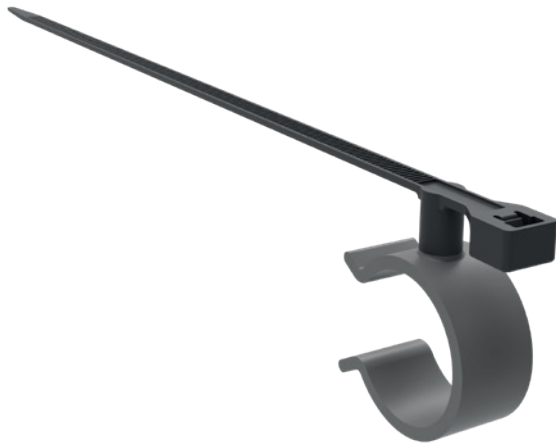
All dimensions in mm / Other dimensions and variants on request.

Ref.	Design	D1	D2	e1	bt1	l x b x h
235654		1-40	4-6	16.5	4.8	184 x 17.5 x 13
235918		1-40	6-10	18.5	4.8	189.7 x 13 x 20.1
235920		1-40	10-17	22.5	4.8	197.7 x 13 x 28.3
235922		1-40	17-27	29.5	4.8	211.9 x 12 x 42.1
235923		1-40	27-40	38.5	4.8	228.5 x 13 x 59.6
247295		4-50	4-50	19.5	5	403.5 x 17.5 x 13.7

CABLE & TUBE STRAP



C-clip combinations



All dimensions in mm / Other dimensions and variants on request.

Ref.	Design	D1	D2	e1	bt1	l x b x h
082660		8-33	6-10	16.25	4.5	140 x 10 x 23.75
082646		8-33	7.8-8.5	13.95	4.5	140 x 12 x 19.4
230635		8-33	9-11	35		140 x 10 x 51.3
168797		8-33	9.5-10.5	15-17	4.5	135-145 x 10 x 21.25
082612		8-33	9.6-10.2	15.2	4.5	140 x 15 x 35.3
203362		8-33	10-12	16.25	4.5	140 x 10 x 25.25
203378		8-33	10-14	14-26	4.5	140 x 9.2 x 27
168803		8-33	11.5-13	16.8	4.5	22 x 10 x 140

CABLE & TUBE STRAP



C-clip combinations

All dimensions in mm / Other dimensions and variants on request.

Ref.	Design	D1	D2	e1	bt1	l x b x h
168822		8-33	14.5-15.5	18.5	4.5	135-145 x 10 x 26.25
168804		8-33	15-16	17.3-19.3	4.5	135-145 x 10 x 26.3
201172		8-33	16-18	35.75	4.5	140 x 12 x 46
168781		8-33	18-20	18.75-20.75	4.5	135-145 x 12 x 30
082610		8-33	18-20	20.25	4.5	140 x 12 x 34.75
082280		8-33	22-24	22.25	4.5	140 x 12 x 35.25
082371		8-33	25-27	31.75	4.5	140 x 12 x 51.25
223241		8-33	26-28	23.7	4.5	140 x 12 x 42
202609		8-33	28-30	25.75	4.5	140 x 12 x 44.5
244422		8-33	28-30	25.8	4.5	48 x 12 x 140
229426		8-33	29-33	25.7		140 x 12 x 45

CABLE & TUBE STRAP



C-clip combinations

All dimensions in mm / Other dimensions and variants on request.

Ref.	Design	D1	D2	e1	bt1	l x b x h
242753		8-33	35-37	29.25	4.5	140 x 16 x 75.5
223346		8-33	38-45	35.25-37.25	4.5	135-145 x 10 x 58.75
082621		8-33	38-45	36.25	4.5	152 x 10 x 59.63
168823		8-50	4.3-5.2	11.8-13.8	4.5	208-218 x 10 x 15.4
233777		8-50	5.1-5.2	15.5		208-218 x 10 x 18.1
223899		8-50	6-6.5	14	4.5	213 x 8 x 21
231445		8-50	6-10	16.1-16.3		208-218 x 10 x 23.8
207332		8-50	7.2-7.5	14.6		213 x 8.5 x 21.6
168800		8-50	7.8-8.5	13-15		208-218 x 12 x 18.25
168869		8-50	8-9	16.2-18.2	4.5	208-218 x 8 x 21.7
233316		8-50	10-14	16.8-18.8	4.5	208-218 x 9.2 x 28

CABLE & TUBE STRAP



C-clip combinations

All dimensions in mm / Other dimensions and variants on request.








Ref.	Design	D1	D2	e1	bt1	l x b x h
168809		8-50	11-13	15.8-17.8	4.5	208-218 x 10 x 23.3
204817		8-50	13-14	17.5	4.5	213 x 10 x 27.5
168782		8-50	14-15	17.5-19.5	4.5	208-218 x 10 x 26
219427		8-50	14-15	18.65	4.5	213 x 15 x 27.4
168752		8-50	15-16	18.3	4.5	213 x 10 x 28.8
208966		8-50	18-20	19.5	4.5	213 x 12 x 32
226530		8-50	19-21	21.6		216.7 x 20 x 40
204814		8-50	19-24.5	20.5	4.5	213 x 12 x 33
245046		8-50	20-22	21.2		37 x 10 x 213
168812		8-50	22-24	21.3-23.3	4.5	208-218 x 12 x 34.3
207579		8-50	22-24	23.8	4.5	213 x 20 x 57

CABLE & TUBE STRAP



C-clip combinations

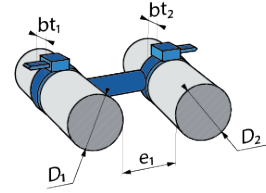
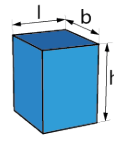
All dimensions in mm / Other dimensions and variants on request.

Ref.	Design	D1	D2	e1	bt1	l x b x h
250344		8-50	23-30	28.3	4.5	213 x 10 x 55.1
206702		8-50	25-27	25	4.5	213 x 12 x 44.5
213008		8-50	25.5	23.75	4.5	213 x 20 x 60
239692		8-50	26.55-28.15	26.8	4.5	212.5-213.5 x 9.2 x 41
168877		8-50	28-30	24.8-26.8	4.5	50 x 12 x 213
249808		8-50	28-35		4.5	213 x 25 x 83.2
225319		8-50	34-36	28.8		216 x 10 x 46.8

CABLE & TUBE STRAP



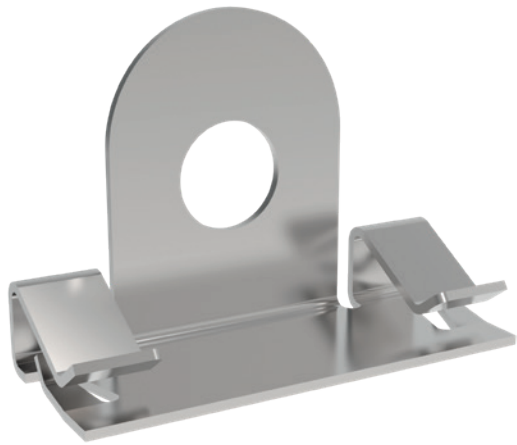
Double strap



All dimensions in mm / Other dimensions and variants on request.





Ref.	Design	D1	D2	bt1	bt2	e1	l x b x h
230759		8-33	8-33			18.5	140 x 8.5 x 18.5
218680		8-33	8-50	4.5	4.5	11.75	213 x 8.5 x 11.75
168780		8-50	8-50			11.75	11.75 x 8-9 x 208-218

CABLE & TUBE STRAP - ADAPTERS



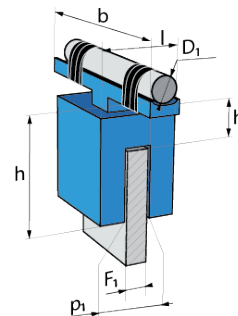
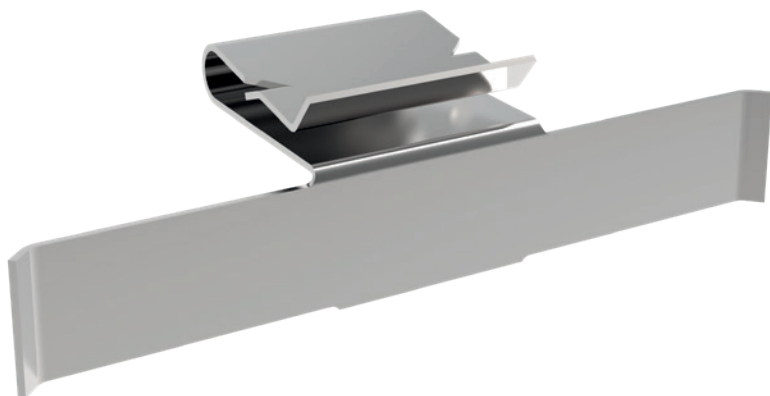
Contact us for assembly options for these adapters.

All dimensions in mm / Other dimensions and variants on request.




Ref.	Design	F1	D1	R1	L1	l x b x h
247100			3-4			12.1 x 12.5-13.5 x 19.3
253424		0.6-2		6.1-6.7	12.1-12.7	193.3 x 13.1 x 18.3
250714		1.5-3				20 x 28 x 11
208738		1.5-4				14.2 x 15 x 7.6

TAPE-ON CLIPS

Panel edge

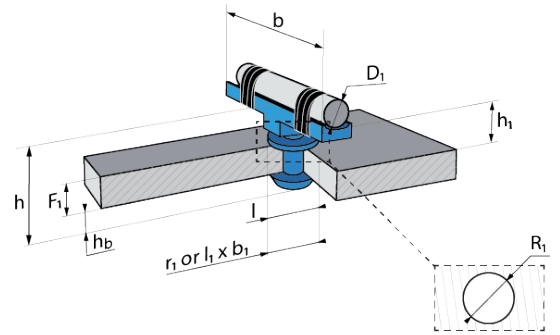


All dimensions in mm / Other dimensions and variants on request.

Ref.	Design	F1	h1	bta1	l x b x h
135240		0.7-2	2.1	10.8	10.8 x 38 x 16.8
018372		0.7-2	4	10	60.2 x 7 x 11.6
137894		2.6-3	12.5-14.1	6	39.5-40.5 x 8.2-9.2 x 11.5-12.5

TAPE-ON CLIPS

Round & oblong holes

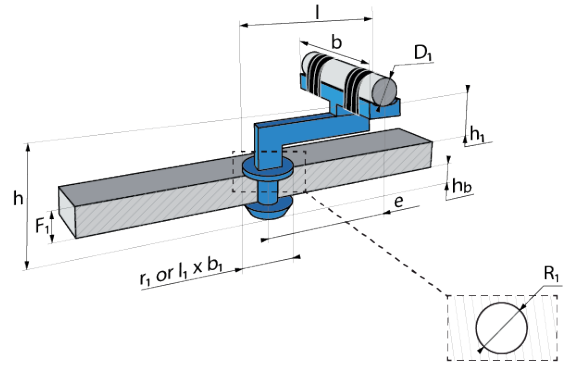


All dimensions in mm / Other dimensions and variants on request.

Ref.	Design	R1	F1	r1 or l1 x b1	h1	hb	bta1	l x b x h
164274				6.5-7.5 x 56	1-2		7	56 x 10-11 x 10-11
164465		6.1-6.5	0.7-4	8	2.5	11.7	8	32 x 11 x 14.2
201662		6.2	0.6-3	16 x 22			8	50 x 16 x 13.2
209423		6.3-6.7	0.7-4		2.5	10.5	8	36 x 11 x 13

TAPE-ON CLIPS

With offset - Round hole

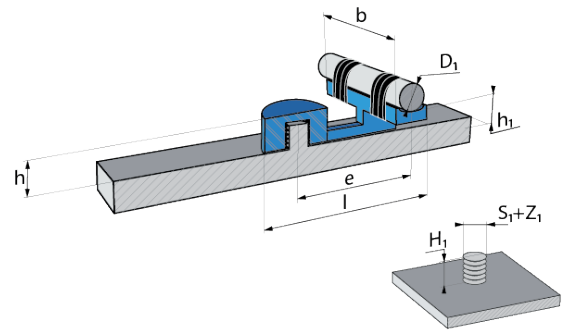
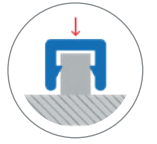


All dimensions in mm / Other dimensions and variants on request.

Ref.	Design	R1	F1	r1 or l1 x b1	h1	hb	e	bta1	l x b x h
164452		6.1-6.5	0.7-4		1.5	12	32	10	50 x 43 x 15
164453		6.1-6.5	0.7-4	12	3	18.9	32	10	43 x 50 x 21.9
201340		6.5-6.7	0.8-4	9	1.8	6.8-10	15	10	35 x 26.5 x 12.6

TAPE-ON CLIPS

With offset - Onto stud - Threaded

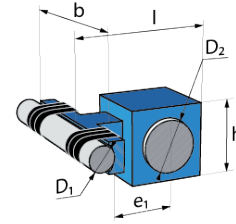
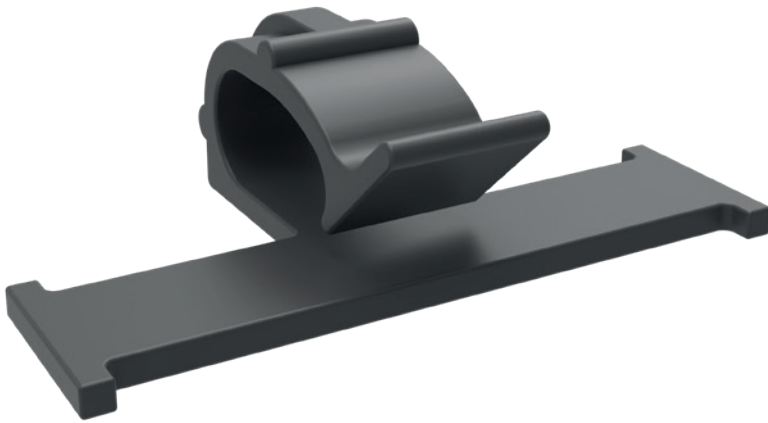


All dimensions in mm / Other dimensions and variants on request.

Ref.	Design	S1	H1	h1	e	bta1	l x b x h
211321		M5 x 0,80	15	11-12	15	10	60 x 31.5 x 21-22
164473		M6 x 1,00		1-2	41	10	35 x 55 x 1.7-2.7
164440		M6 x 1,00		1.85	14	10	35 x 28 x 2.2
211319		M8 x 1,25	2.2	1.7-2.7	26	10	35 x 41.5 x 1.7-2.7

TAPE-ON CLIPS

With housing - Wire to wire



All dimensions in mm / Other dimensions and variants on request.

Ref.	Design	D2	e1	bta1	l x b x h
168903			16.2	7	40 x 23.4 x 10
164179		3-4	14.5	7	13 x 40 x 19.3
135036		18-20	20.5		40 x 34.5 x 12
237859		25	16	7.5	52 x 45 x 41.1
163631		25	20.9	12	38 x 41.8 x 35

SPECIFIC TAPE-ON CLIPS

Easy approach for securing cables



ARaymond's extensive range of tape-on clips offers an easy approach for securing cables, wires or hoses. They are available with or without offsets and wire housings to adapt to hole, stud, edge, and virtually all other packaging and mounting situations.

These tape-on clips are easy to install without the need for a tool, and designed to hold cables or pipes in place with a tape binding.



Ref. 213020



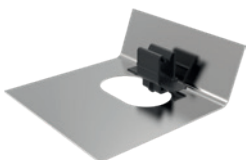
Ref. 211323



Ref. 164274



Ref. 175187



Ref. 082047



Ref. 201581

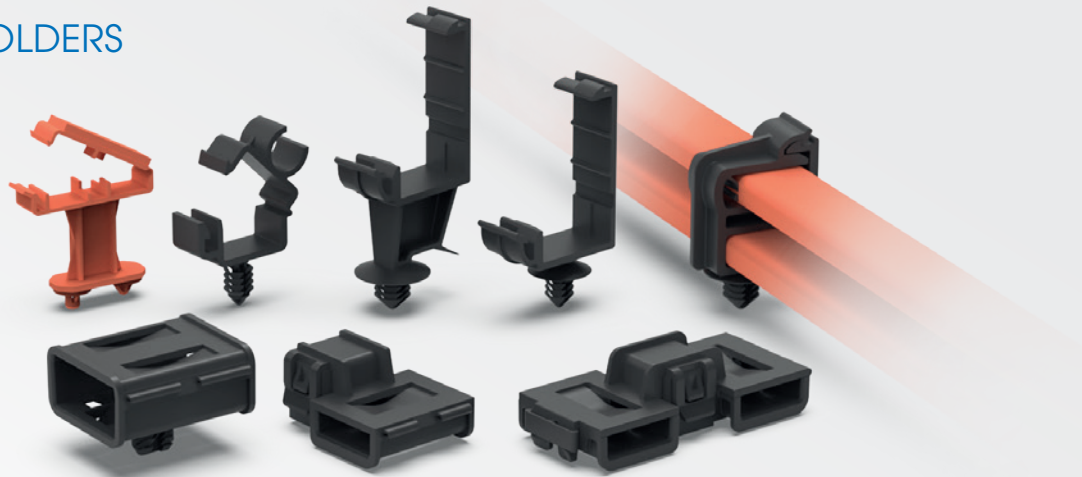


Ref. 250953

Contact us to learn more about the many configurations and mounting options possible.



BUSBAR HOLDERS

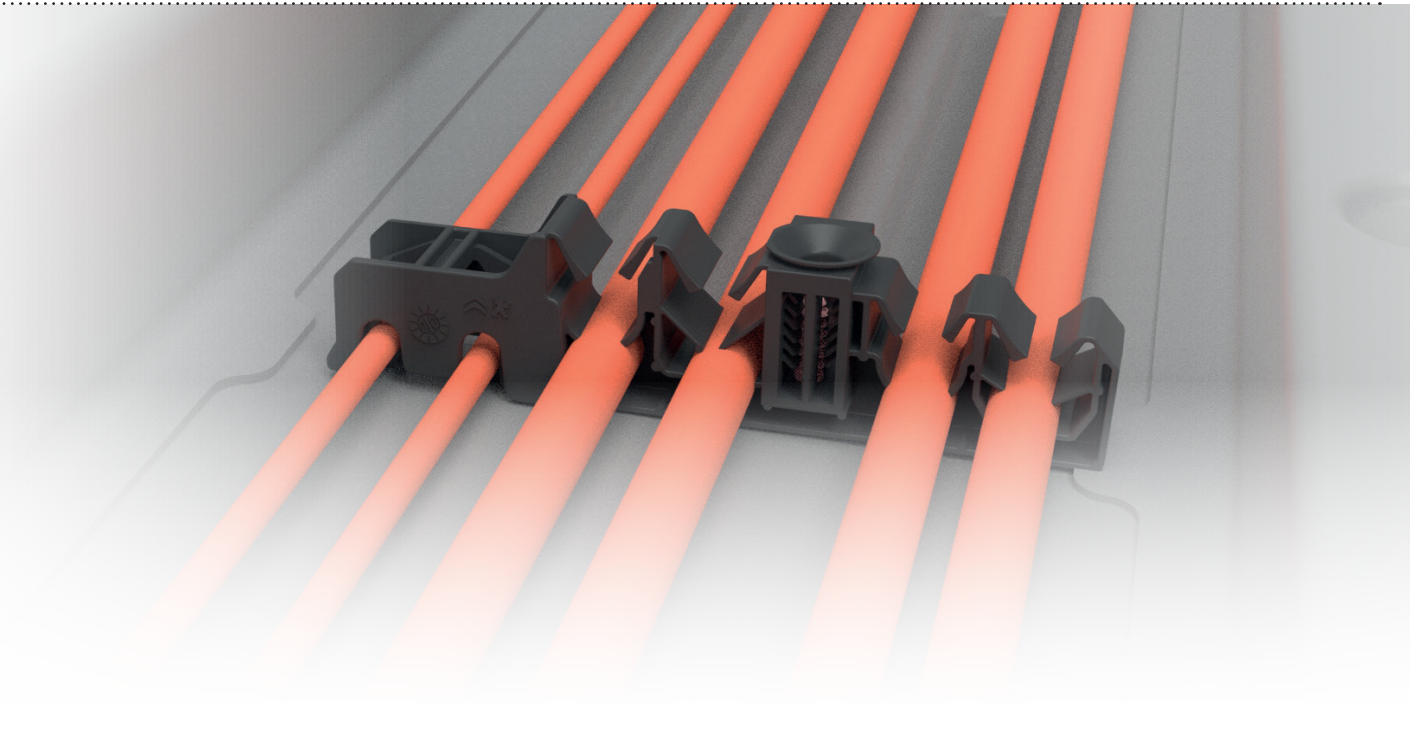


HEAVY-DUTY CLIPS FOR STANDARD HIGH VOLTAGE CABLES

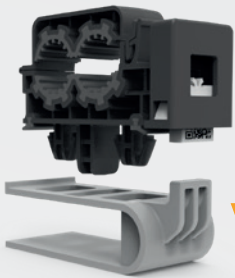


SUPER HEAVY-DUTY HIGH VOLTAGE CABLE CLIPS





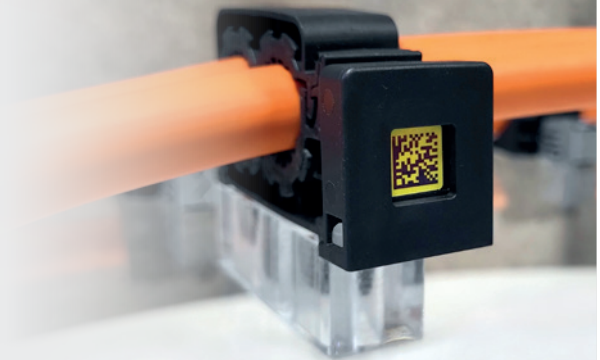
ASSEMBLY CONFIRMATION



Delivery condition



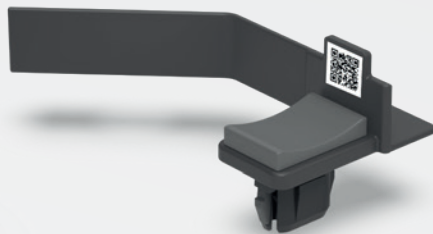
Properly installed



M6 Stud



9x17 Slot



6.5 x 12.5 Slot

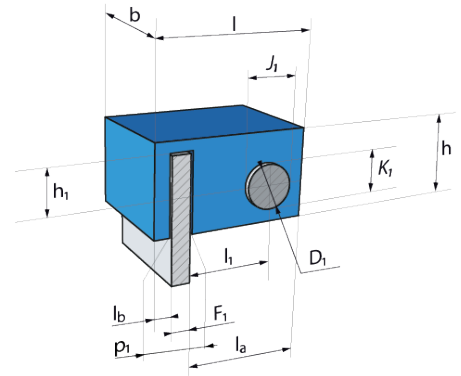
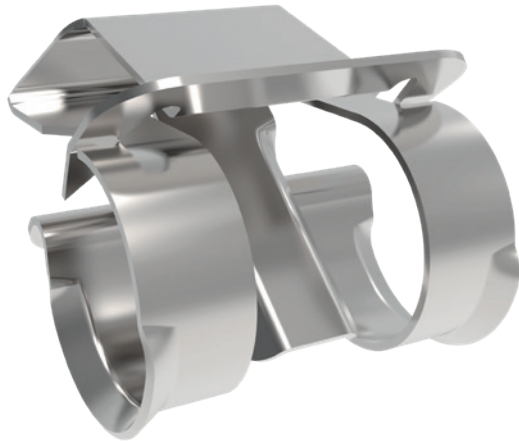
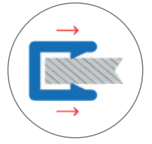


Contact us to learn more about the many configurations and mounting options possible.



CABLE & TUBE HOLDER

Panel edge - Metal

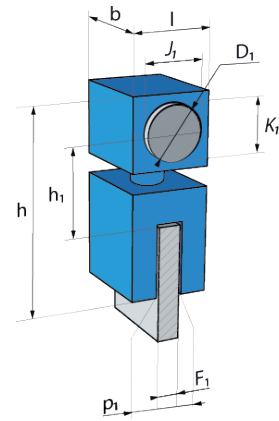


All dimensions in mm / Other dimensions and variants on request.

Ref.	Design	D1 or J1 x K1	F1	la	lb	l1	h1	l x b x h
136893		12-13 x 4.57-5.08	1.52-2.26	7	3		0	9.7 x 9.52 x 17.4
137853		14.15-14.4	4.34-6.35	10.25	4.75 min	7	11	22 x 15.62-16.13 x 22
136760		2.2-2.4	0.5-1.1	3	1	0	0	5.13 x 9.5 x 9.5
201229		3.9-4.1	0.5-2	4.6	3.1	2.5	3.3	6.4 x 12.75 x 10
017862		4-10	2-4	26.4	5	16	11	30.4 x 20 x 22.2
242076		5-6.3	1.5-2.5	6	1		4	12.9 x 11.5 x 20.2
230401		9.8-10.2	2.9-3.1	19.5	1.5		9.2	23.4 x 15 x 16
137603		9.91 x 11.43	0.79-2.18	10.5	1		6	13.97 x 9.52 x 19.81

CABLE & TUBE HOLDER

Panel edge - Plastic assembly

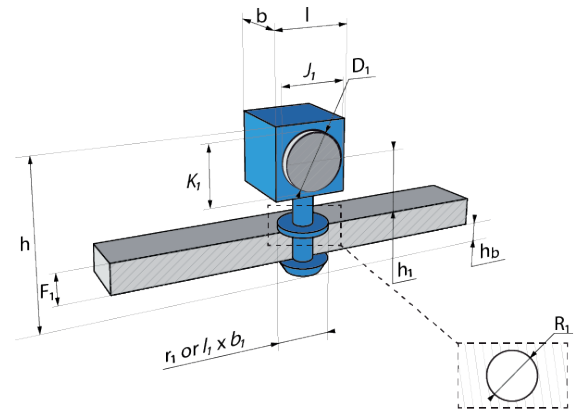


All dimensions in mm / Other dimensions and variants on request.

Ref.	Design	D1	F1	h1	l x b x h
242892		7.85-8.15	0.8-1.4	7.01	11 x 12.8 x 18.7
168955		10-12	2-4	18.7	16 x 10 x 39.5
243317		23-25	2-4	11.2	58.1 x 15 x 33.5
250924		25	2-4	24.2	51.1 x 12 x 52.1
220116		25.1-25.9	2-4	24.45	44.8 x 20 x 73.8

CABLE & TUBE HOLDER

Round & oblong hole - Single housing



All dimensions in mm / Other dimensions and variants on request.

Ref.	Design	D1	R1	F1	r1 or l1 x b1	h1	hb	Features
206902		2-8	6.2	0.7-4	22 x 16	8	3.4-6.7	
163953		4.5	6.5-6.7	1-6	15 x 10	6.2	10	CORRUGATED HOSE
018845		4.9-5.1	6.5-6.7	0.8-4	15 x 10	6.25	5-8.2	
163682		5-6.85	7-7.3	2.5-6.5	20	11.7	14.9	
164745		5.19-5.28	6.1-6.6	1.25-1.85	7.5	7.8	10	
238091		6	6.25-6.75	1.2-1.7	7 x 7	9	6.1	
055286		6-12	6.35-6.7	0.5-3	8.5	15	6.1	
137062		6.35-12.7	7-7.25	3.58-6.35			19.8	

CABLE & TUBE HOLDER



Round & oblong hole - Single housing

All dimensions in mm / Other dimensions and variants on request.

Ref.	Design	D1	R1	F1	r1 or l1 x b1	h1	hb	Features
018030		7-9.5	6.5-6.7	1-6	15	9.5	9.9-4.9	
016048		7.5-7.8	6-6.2	0.7-2	20	9	6.8	
019554		8-11	7-7.4	1-13	20	9.6	5.2-17.2	
252153		9.5-10.5	6.5-6.7	0.8-6	20.5	28.1	4.5-9.7	
237044		12.4-13	6.1-6.6	0.76-3.18	35 x 7	18.7	11	
223214		12.6-13.2	6.5-6.7	0.8-2	20	42.8	7.1	CORRUGATED HOSE
017714		12.6-13.2	6.5-6.7	1-6	20	11.65	4.5-9.5	CORRUGATED HOSE
219241		12.7	7	2-6.35		10	6	
164537		14.2-15.2	7.8-8.2	2.4-2.6	32.3 x 17	25	17.1	
226077		14.55-14.85	8.7-9.2	1.55-1.85	10.5 x 10.5	19.8	17.3	
018141		15-16	6.5-6.7	0.8-1.5	20	12	6.8	

CABLE & TUBE HOLDER



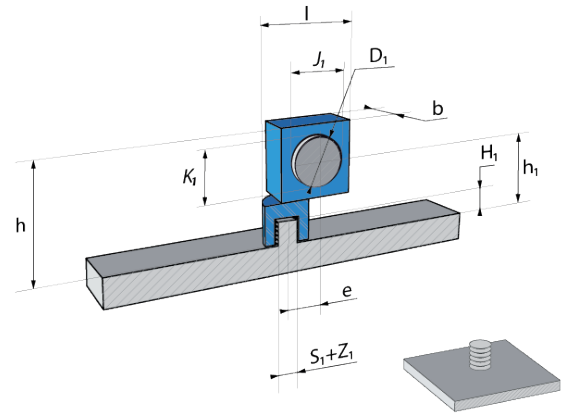
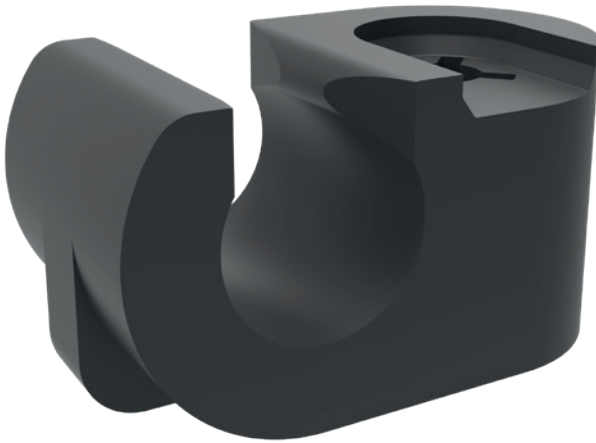
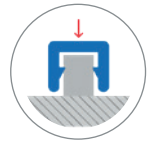
Round & oblong hole - Single housing

All dimensions in mm / Other dimensions and variants on request.

Ref.	Design	D1	R1	F1	r1 or l1 x b1	h1	hb	Features
017737		16-18.5	6.5-6.7	1-6	20	13.2-14.45	7.5-12.5	
259377		18-24	6.5-6.7	0.6-6	18			
223811		20-24.5	7.6-8.4	2-9.5	16	20.7	17	
233857		22.6-23.4	6.5-6.7	0.8-6	22	16.1	6.75-11.95	
262511		25	7.8-8.2	0.8-8		23.3		
250085		25	8	0.95	9.6 x 7.3	20.2	9.3	
248855		25	8.95	1.4	10.5	37.3	17.3	
252187		39-45	7.8-8.2	0.8-8	8	29.3	13	
250629		47.3	10	3				

CABLE & TUBE HOLDER

Onto stud - Single housing

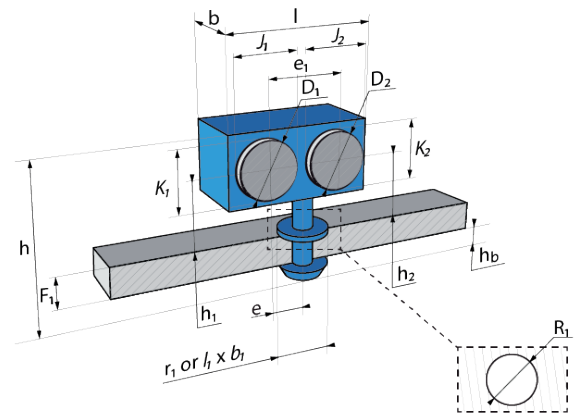


All dimensions in mm / Other dimensions and variants on request.

Ref.	Design	D1	S1	H1	h1	e	l x b x h
108431		4.8	T5 Stud	14	10.5	12.5	34 x 12 x 34.8
108447		4.8	T5 Stud	14	21		30 x 30 x 45
247487		15.2	T5 Stud	9-16	9.6		28.1 x 20 x 22.6
222124		16-22	T5 Stud	14.2	36.7		45.5 x 9.2 x 51.3
164731		5.19-5.28	M5 x 0,80	15.5	7.8	7.5	19.5 x 17 x 17
247531		5.19-5.28	M8 x 1,25		7.6	9	23.9 x 18.5 x 17
164741		5.19-5.28	M8 x 1,25	15.5	7.6	9	22.5 x 17 x 17
223863		9.45-9.61	M6 x 1,00	18-0	9	10.5	34.5 x 17.5 x 18

CABLE & TUBE HOLDER

High voltage



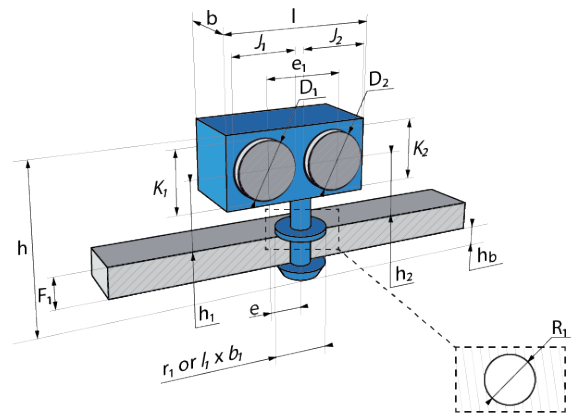
All dimensions in mm / Other dimensions and variants on request.

Ref.	Design	D1	D2	R1	F1	r1 or l1 x b1	h1	h2	e1	e	hb
275485		7-10	13-18				12	14.2	42.6	24	
249151		13.3-16.1				28 x 10	13.6			18	
249154		13.3-16.1	13.3-16.1			38.83 x 10	13.6	13.6	36	18	
249148		13.3-16.1	13.3-16.1	6-7	0.6-4	38.73 x 10	13.6	13.6	36	18	8.3-11.7
263510		14.5-18	14.5-18	6.5-6.7	0.6-4	25 x 10	12.9	12.9	33.4	16.7	7.9-11.3
251278		14.5-18	18	6.2-6.4	0.7-3	32 x 10	13.6	13.6	28	14	7.5-9.8
249155		18-21.4	18-21.4			39 x 10	16.5	16.5	42	21	
255874		21;18.7		6.5-6.7	0.7-3.5	21.5 x 10	16.5				7.7-10.5

CABLE & TUBE HOLDER



Round hole - Two housings



All dimensions in mm / Other dimensions and variants on request.





Ref.	Design	D1	D2	R1	F1	r1 or l1 x b1	h1	h2	e1	e	hb
248440		3.5-5.5	14.4-14.9	6.1-6.6	0.6-2.2	16	15	15	18	18	8
164450		4.8-6.8	4.8-6.8	9.7-10.2	6.6-7.15	11	6.5	6.5	16	8	20.1
229022		5.19-5.28	5.19-5.28	6.1-6.6	1.25-1.85	7.5 x 7.5	7.6	7.6	5.25	10.5	10
164476		9.42-9.58	9.42-9.58	7.8-8.2	0.8-3	9	12.4	12.4	16	8	9
164719		9.5-12.7	14.55-14.85	8.7-9.2	1.55-1.85	10.5	12.4	12.4	20.8	11	17.7
164432		9.97-12.7	9.97-12.7	8.7-9.2	2.75-3.25	10.5	12.8	12.8	22.2	11.1	9
248474		10.05-10.35	10.05-10.35	5.3-5.7	1.7-2.1		15	20	19.1	0	12.2
164067		11-13	11-13	6.6	4.3	20	19.5	19.5	16	8	13.4

CABLE & TUBE HOLDER

Round hole - Two housings

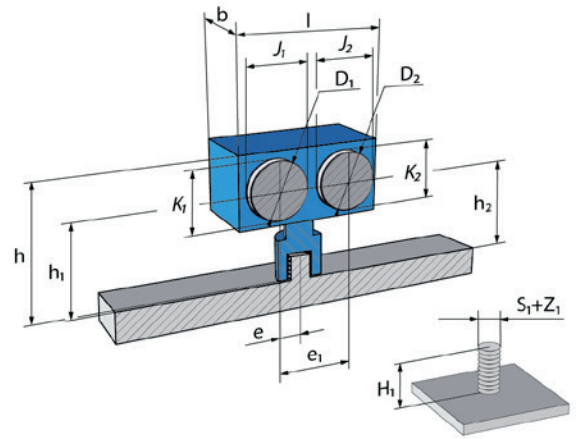
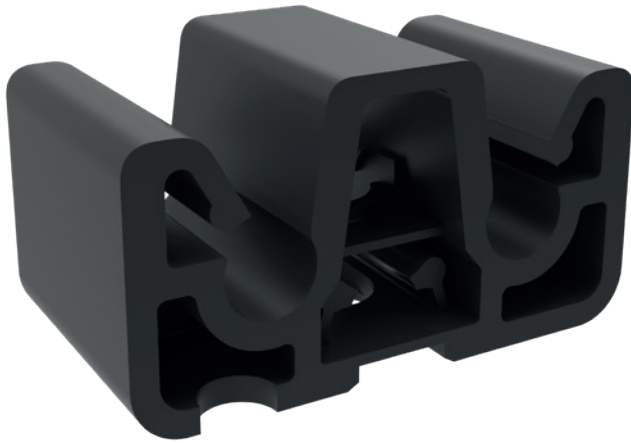
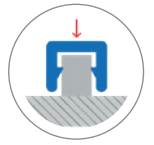


All dimensions in mm / Other dimensions and variants on request.

Ref.	Design	D1	D2	R1	F1	r1 or l1 x b1	h1	h2	e1	e	hb
225255		13-14	6-6.5	6.5-6.7	0.8-6	16	34.5	14	0	0	6.8-12
258781		19-24.5	22-23	6.3-6.5	0.6-6	6.5	22.6	22.6	31		12.5
222881		28-36	5.15	6.5	0.8-4	23 x 9	18.9	18.4	25.2	25.2	18
249168		9.5;10.2	9.5	9	1	10.5 x 10.5	12.8	12.8	22.2	11.1	13.6

CABLE & TUBE HOLDER

Onto stud - Two housings

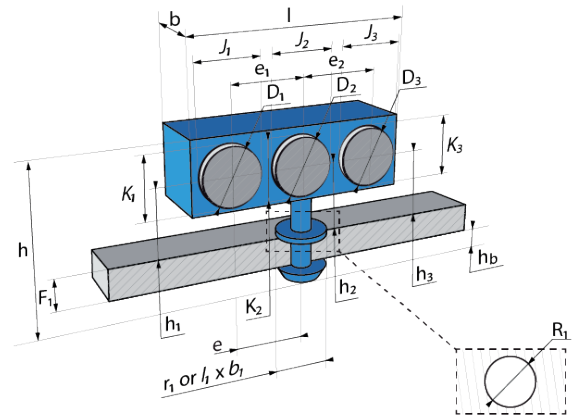
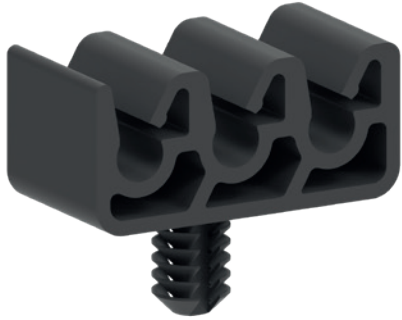


All dimensions in mm / Other dimensions and variants on request.

Ref.	Design	D1	D2	S1	H1	h1	h2	e1	e
164730		5.05-5.35	5.05-5.35	M5 x 0,80	15	7.6	7.6	15.6	7.8
222569		5.1	5.1	T5 Stud		7.5	7.5	19	9.5
241750		5.2	5.2	T5 Stud		7.6	7.6	15.5	7.75
223908		7.75-8.25	7.75-8.25	T5 Stud	14 min	8.75	8.75	19.6	9.8
219018		15.5-16.1	15.5-16.1	T5 Stud		10.8	10.8	20	17.5

CABLE & TUBE HOLDER

Round hole - Multiple housings

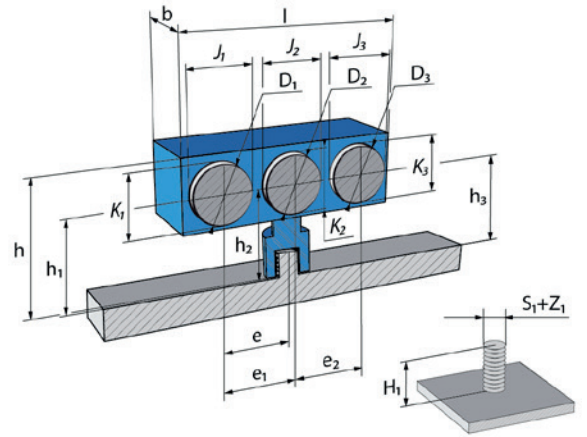
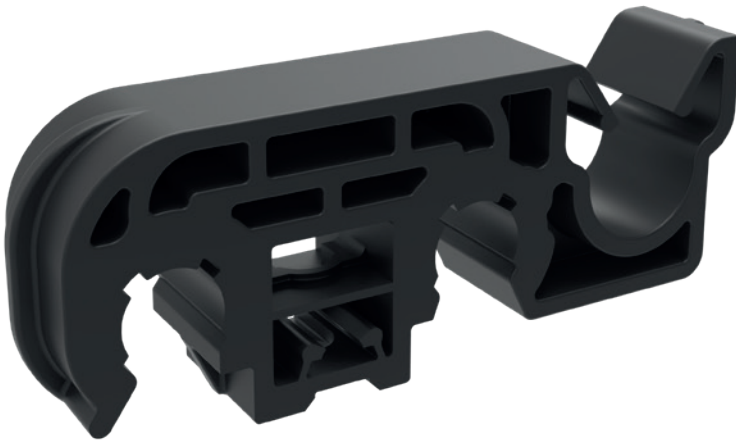
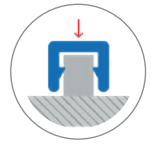


All dimensions in mm / Other dimensions and variants on request.

Ref.	Design	D1	D2	D3	R1	F1	h1	h2	h3	e1	e2
164728		5.19-5.28	5.19-5.28	5.19-5.28	6.05-6.55	1.75-2.25	7.6	7.6	7.6	10.5	10.5
245048		9.95-10.25	9.95-10.25	9.34-9.64	7.8-8.2	1.4-1.6	10	10	10	15.3	21.7
164528		12.7-15.82	4.76-7.16	9.45-9.59	7.87-8.13	2.5-6.1	11	14.1	11	7	14

CABLE & TUBE HOLDER

Onto stud - Multiple housings

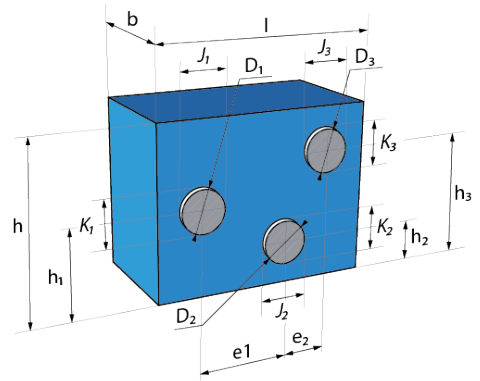
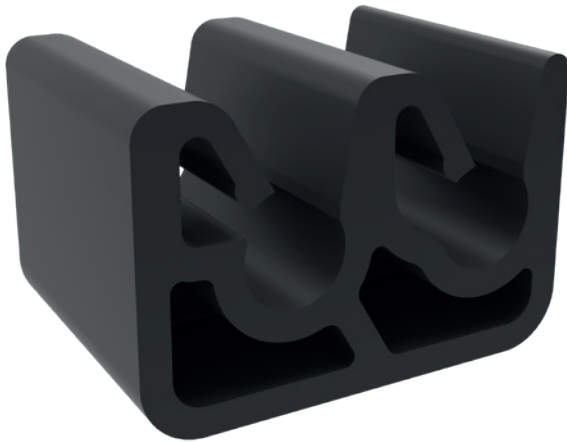


All dimensions in mm / Other dimensions and variants on request.

Ref.	Design	D1	D2	D3	S1	H1	h1	h2	h3	e1	e2	e
248893		5.1-5.3	5.1-5.3	11.5-12.5	M5 x 0,80	15	10	10	15	22	18.5	11
164737		5.19-5.28	5.19-5.28	5.19-5.28	M5 x 0,80	10-15.5	17.9	17.9	17.9	15.6	10.6	7.8
234772		5.2	5.2	5.2	T5 Stud	14	10.5	10.5	10.5	25	12.1	12.5
242075		8.8	8.8	12.5	T5 Stud		11.2	11.2	14.7	29	18.8	15.3

CABLE & TUBE HOLDER

Spacer - 2 housings

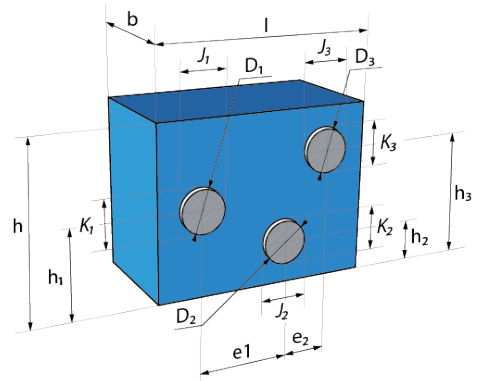
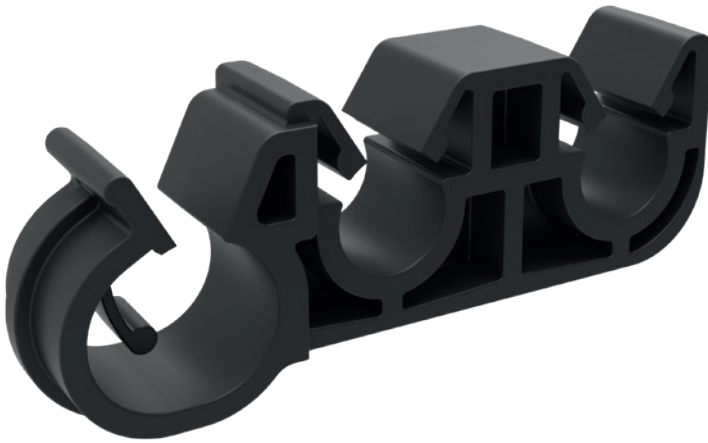


All dimensions in mm / Other dimensions and variants on request.

Ref.	Design	D1	D2	e1	l x b x h
247486		10.2;9.5	9.5;10.2	27.2	59.8 x 17 x 29.4
164743		5.19-5.28	5.19-5.28	10.5	22.8 x 17 x 15.1
164744		6.6-6.87	6.6-6.87	12	26.5 x 17 x 16.4
013059		8	4.75	8.1	17.2 x 8 x 12.1
248378		19-20.3	19-20.3	60	96.5 x 15 x 39.2

CABLE & TUBE HOLDER

Spacer - Multiple housings



All dimensions in mm / Other dimensions and variants on request.

Ref.	Design	D1	D2	D3	e1	e2	l x b x h
164729		5.19-5.28	5.19-5.28	5.19-5.28	10.5	10.5	33.2 x 17 x 15.1
244960		9.5	9.5	12.5	22.3	16.2	58.86 x 13.3 x 23.7
250713		15-16	26-28	26-28	0	35.3	78.1 x 12 x 54.4

SPECIFIC TUBE HOLDERS

For custom solutions



The unique tube holder pictured above was designed with an automatic locking feature and adapts to a M6 threaded hole.



Ref. 222398



Ref. 231227



Ref. 241797



Ref. 218085



Ref. 020083



Ref. 015330



Ref. 201053

▶ FOR M6 THREADED HOLE



Ref. 216410

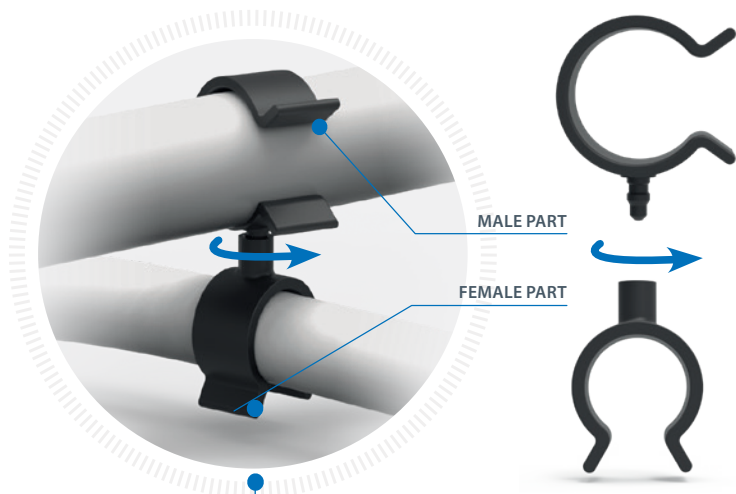
Contact us to learn more about the many configurations and mounting options possible.



MODULAR TUBE, PIPE & HARNESS CLIPS

A WIDE PRODUCT RANGE

Extensive range of swivel clips with more than 5,000 individual components offering an almost infinite number of **multidirectional** combinations of fastening solutions. The ARaymond modular harness clips are supplied pre-assembled and offer a **great variety in terms of diameters and design configurations**. The swivel function enables multidirectional cable mounting.



The ARaymond modular harness clips consist of female and male parts that are combined to become tailor-made fasteners.

Standard systems to fit OEM specifications

FIXING SOLUTIONS

Cable straps



Tape-on clips



Corrugated hose clips



▶ LOCKING LID

Cable & tube clips



▶ ADJUSTABLE LOCKING LID

CABLE OR WIRE FIXINGS



▶ ADJUSTABLE LOCKING LID



▶ LOCKING LID



▶ VARIABLE LOCKING STRAP



▶ CLOSING WITH FLEXIBLE LID



▶ OPEN WITH FLEXIBLE FINGER

BODY IN WHITE OR PANEL FIXING



▶ STUD MOUNT



▶ EDGE



▶ FIRTREE ROUND



▶ ANCHOR FOOT

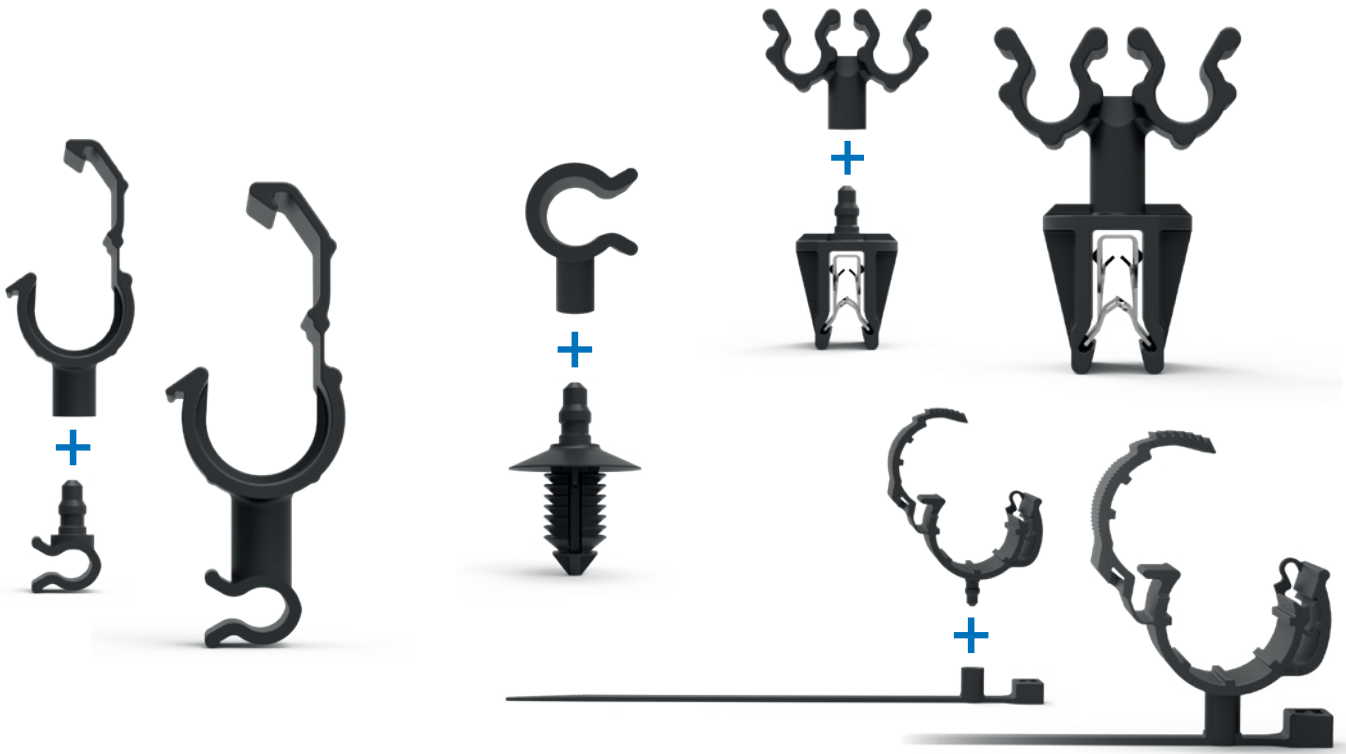


▶ THREADED HOLE



▶ OVAL & OBLONG

► Mix and match to create your ideal solution.



FIXING COMBINATIONS

One fixing



► STRAIGHT ► 90° TURN ► 45° TURN

Multiple fixings



► TWO WAYS STRAIGHT ► TWO WAYS 90° TURN ► THREE WAYS ► FOUR WAYS

SINGLE OR MULTIPLE CABLE HOUSINGS

Single

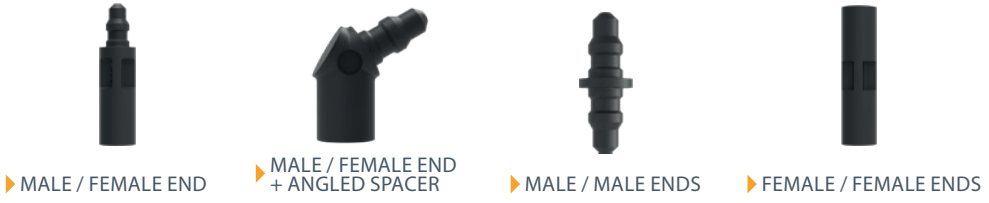


Multiple



SPACERS

A large variety of different standoff dimensions available on request.

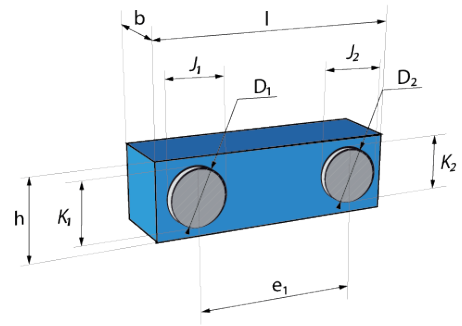


► MALE / FEMALE END ► MALE / FEMALE END + ANGLED SPACER ► MALE / MALE ENDS ► FEMALE / FEMALE ENDS



SWIVEL TUBE HOLDER

Common combinations



All dimensions in mm / Other dimensions and variants on request.

Ref.	Design	D1	D2	e1	l x b x h
081732		4.3-5.2	9.6-10.2	16.95	27.6 x 15 x 14.6
168839		4.3-5.2	10-12	19	29.5 x 10 x 16
081484		6-6.5			20.5 x 20.5 x 33.4
081083		6-6.5	6-6.5	16.5	27.5 x 8 x 11.5
081130		6-6.5	7.2-7.5	17.1	30 x 8 x 12
081253		6-6.5	8-9	17.5	29 x 8 x 13.5
260303		6.8-7.4			10.4 x 10 x 44
081111		7.8-8.5	18-20	21.7	39 x 12 x 26

SWIVEL TUBE HOLDER



Common combinations

All dimensions in mm / Other dimensions and variants on request.










Ref.	Design	D1	D2	e1	l x b x h
081244		8-9	8-9	20.5	32 x 8 x 13.5
081892		8-9	9.6-10.2	18.45	31.1 x 15 x 14.6
168832		8-9	11-13	20	33.2 x 10 x 17.5
080930		8-9	15-16	28	44.2 x 10 x 22.5
081431		8-9	16-18	22.5	38.2 x 12 x 23
081257		8-9	22-24	25.5	44.2 x 12 x 29
082501		8-9	34-36	32	58.7 x 10 x 47
250828		8-14			26 x 12 x 38.9
168831		9.5-10.5	8-9	18.2-20.2	31.7 x 10 x 15.8
168794		9.5-10.5	10-12	22.3	36 x 10 x 16
253226		9.5-10.5	11.5-13	49.3	63.5 x 9.5-10.5 x 15.8

SWIVEL TUBE HOLDER



Common combinations

All dimensions in mm / Other dimensions and variants on request.












Ref.	Design	D1	D2	e1	l x b x h
081085		9.5-10.5	13-14	21.75	38 x 10 x 22.5
081027		9.5-10.5	18-20	23.75	43 x 12 x 26
208657		10-12			16 x 16 x 34.3
082291		10-12	13-14	21.9	38.7 x 12 x 23
081430		10-12	16-18	25.5	42.5 x 12 x 23
168963		11-13	9.5-10.5	20.8	35 x 10 x 18
221640		11-13	11.5-13	21.5	38.5 x 10 x 18.5
256381		14.9-15	9.4-9.5	38.25-89.25	55 x 9.5-10.5 x 21.5
168920		15-16			21.5 x 10 x 44.7
168815		15-16	11-13	23	40 x 10 x 21.5
168844		15-16	14.5-15.5	24.8	43.5 x 10 x 21.5

SWIVEL TUBE HOLDER



Common combinations

All dimensions in mm / Other dimensions and variants on request.

Ref.	Design	D1	D2	e1	l x b x h
225674		15-16	15-16	41	61 x 10 x 22.5
247035		15-16	18-20	26	48.5 x 10 x 25
168851		15-16	22-24	28.5	51 x 12 x 30
225976		15-16	26-28	29.9	62.7 x 12 x 40
249400		16-18	5.1-5.2	23	48.7 x 12 x 23
081462		16-18	18-20	27	49 x 12 x 26
230037		17	18-20	28.8	65.6 x 20 x 35.1
221956		18-20	5.1-5.2	23.5	51.2 x 12 x 26
168841		18-20	10-12	26	45 x 12 x 25
168914		18-20	14.5-15.5	26.3	48 x 12 x 25
081013		18-20	22-24	30	55 x 12 x 29

SWIVEL TUBE HOLDER



Common combinations

All dimensions in mm / Other dimensions and variants on request.





Ref.	Design	D1	D2	e1	l x b x h
081168		19-24.5	16-18	28	50 x 12 x 28
080973		19-24.5	22-24	30.6	56 x 12 x 29
262618		22-24			41.02 x 20 x 69.45
244777		22-24	9.5-10.5	44.8	64.5 x 12 x 29
082529		22-24	25.1-25.9	34.25	65 x 20 x 37.24
243277		22-24	25.1-25.9	34.3	90 x 20 x 44.83
082639		22-24	38-45	40	76.4 x 12 x 53.4
266749		25-28	33-35	43	104.2 x 20 x 56
243710		25.1-25.9			35 x 20 x 54
247085		25.1-25.9			44.8 x 20 x 72.1
239454		25.1-25.9	8-9	45.8	68 x 20 x 32

SWIVEL TUBE HOLDER



Common combinations

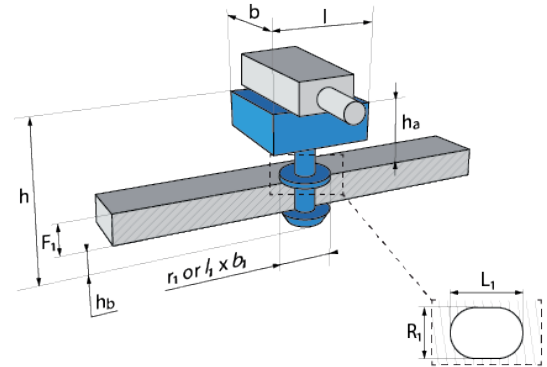
All dimensions in mm / Other dimensions and variants on request.

Ref.	Design	D1	D2	e1	l x b x h
247087		25.1-25.9	18-20	38.3	85.8 x 20 x 44.8
265821		38-45	20-24.5	76	119 x 12 x 56.2
247088		38-45	25.1-25.9	42.7	60 x 20 x 100
237688		39-45			53.5 x 16 x 68.2

ELECTRICAL CONNECTOR HOLDERS

CONNECTOR HOLDER

Round & oblong hole

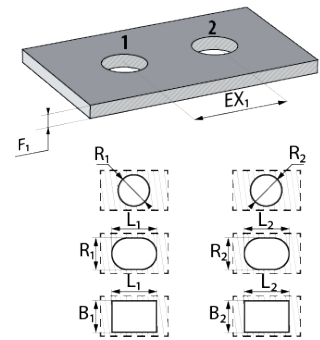
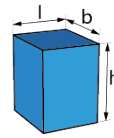


All dimensions in mm / Other dimensions and variants on request.

Ref.	Design	R1	L1	F1	Connector Interface	Features
209310		6.1-6.3	12.1-12.3	0.6-3	EWCAP-005-11, 11 MM CLIP SLOT	RESISTANT TO WATER RUN-OFF
254896		6.1-6.7	12.1-12.7	0.6-2	EWCAP-005-11, 11 MM CLIP SLOT	BI-INJECTION WATERPROOF
254778		6.1-6.7	12.1-12.7	2.25-3	EWCAP-005-23, 23 MM CLIP SLOT	BI-INJECTION WATERPROOF
230577		6.1-6.9	12.1-12.9	1.25-2	EWCAP-005-11, 11 MM CLIP SLOT	BI-INJECTION WATERPROOF
221052		6.2-6.4	12.2-12.4	2	EWCAP-005-11, 11 MM CLIP SLOT	RESISTANT TO WATER RUN-OFF
164516		6.3-6.7		0.8-7.5	EWCAP-005-23, 23 MM CLIP SLOT	
238806		6.3-6.7	12.8-13.2	0.75-0.85		

CONNECTOR HOLDER

Anti-rotation



All dimensions in mm / Other dimensions and variants on request.

Ref.	Design	R1 x L1 or B1 x L1 or R1	L2 x R2 or L2 x B2 or R2	F1	Connector Interface
235479		4.6-5.4	6.3-6.7	0.8-4	EWCAP-005-11, 11 MM CLIP SLOT
164321		4.8-5.2	6.3-6.7	0.8-4	EWCAP-005-23, 23 MM CLIP SLOT
164322		6.3-6.7	4.8-5.2	0.8-4	EWCAP-005-23, 23 MM CLIP SLOT

SPECIFIC CONNECTOR HOLDERS

Allowing secure fastening of connectors to the vehicle



ARaymond's broad range of connector holders ensure a secure fastening to the vehicle, and are suitable for most types of automotive connectors.

Connectors below are applicable for EWCAP-005-11.



Ref. 018689



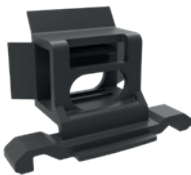
Ref. 210510



Ref. 210458



Ref. 214222



Ref. 020895



Ref. 061899



Ref. 255201



Ref. 255102

Contact us for
more information

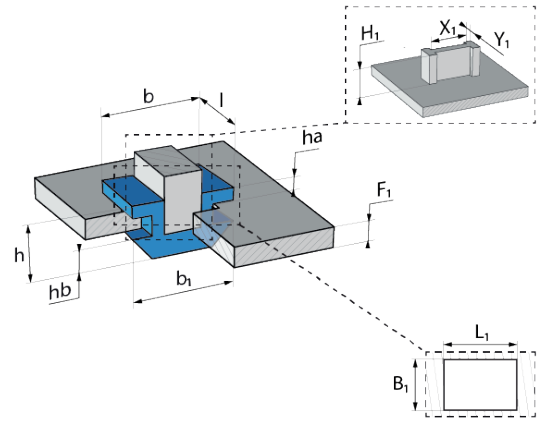
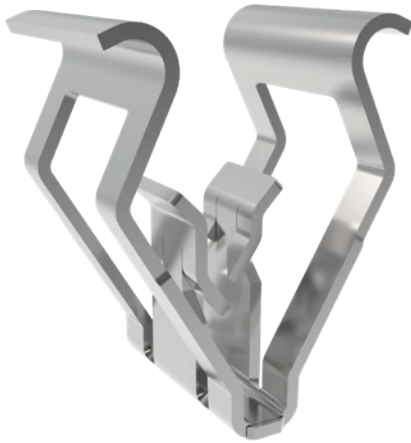


PANEL & TRIM FASTENERS

PRE-MOUNTED PANEL FASTENERS



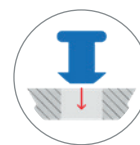
Flange clip



All dimensions in mm / Other dimensions and variants on request.

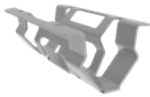



Ref.	Design	L1 x B1	H1	Y1 x X1	F1	ha	hb	b1	l x b x h
221845		11 min x 5.9-6.1	14 min	1.2-1.4 x 10 min	0.8 min	3	9.3	8.1	9 x 8.1 x 12.8
017842		11 min x 7.8-8		4.1-4.3 x 3.5-10	2.5-2.7	0.4	6.5-6.7	10.2	10 x 16.4 x 9.6
135203		11 x 6.3-6.7	3.2	1.17-1.43 x 5	2.5	3	6.1	1.96-2.56	10.5 x 7.8 x 9.5
246405		11-16 x 8-8.5	19.2	1.7-2.1 x 11		2	12.1		9.3-9.6 x 11.9-13.1 x 16.5
200825		14.3-14.7 x 9.9-10.1	19	5.4-5.6 x 5.5-12	2.8-3.2	0.7	11.9	12.2	12.8 x 18 x 15.7
209891		15 x 7.9-8.1	15.1-15.3	1.6-1.8 x 9.7-10.3	2.6-2.8		15		8.5-8.9 x 12.5 x 16
137719		16 x 8-8.5			2	5	11.6-11.8		9.45 x 12.5 x 16.5
216023		16.2-16.4 x 4.4-4.6	5	2.8-3 x 9-15	1.9-2.1	0.2	3.3	5.8	15 x 8.4 x 5.3

PRE-MOUNTED PANEL FASTENERS



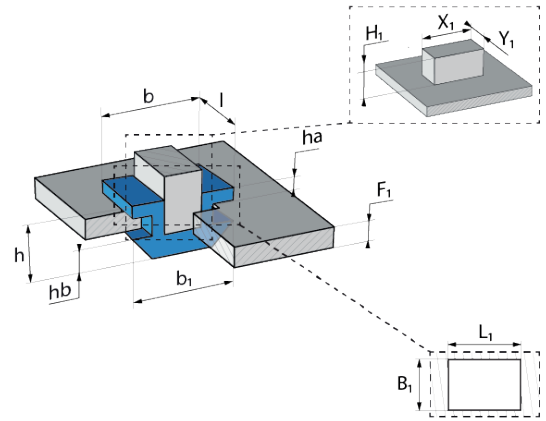
Flange clip

All dimensions in mm / Other dimensions and variants on request.

Ref.	Design	L1 x B1	H1	Y1 x X1	F1	ha	hb	b1	l x b x h
268339		16.2-16.4 x 4.4-4.6	5	2.8-3 x 9-15	1.9-2.1	0.2	3.4	5.8	15 x 8.4 x 5.3
135257		20 x 5.7-6.2			2.3		7.5-8.5		11 x 8.05 x 14.7
135205		21 x 5.75-6.25		1.13-1.37 x 16	2.5-3	2	9.2		12 x 8.9 x 16.1
267820		25.7-26.3 x 5.7-6.3	13.1-13.7	1.4 x 15.2-15.8	0.7-2.5	0.6	10.9-11.3	9-9.4	11.5-12.5 x 13.8-14.2 x 16.4-16.8

PRE-MOUNTED PANEL FASTENERS

Flange clip - High retention

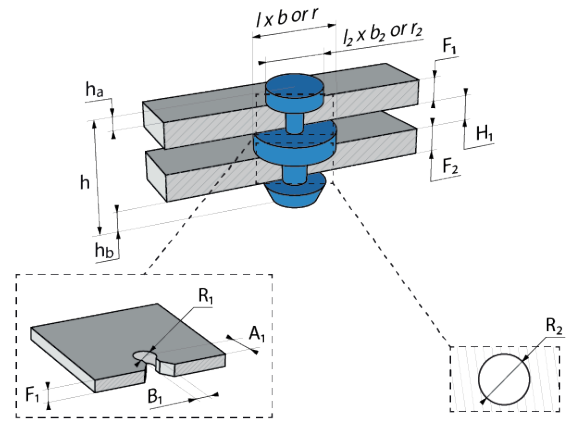


All dimensions in mm / Other dimensions and variants on request.

Ref.	Design	L1 x B1	H1	Y1 x X1	F1	ha	hb	b1	l x b x h
137887		20 x 5.75-6.03	17 min	1.75-2 x 12 min	0.7-0.9	5.8	5	8.7	23 x 16.5 x 15.5
137789		25 x 7.85-8.35	8.5		2.9-3.3	5.4-6.8	2.5-3.5	10.8	25 x 16.5 x 15.5
222391		25.4 x 8.25-8.75	12	3.5 x 16	2.4-2.6	5.1	2.2-3	11.1	25 x 17.8 x 18.7

PRE-MOUNTED PANEL FASTENERS

Double headed clip - Round doghouse

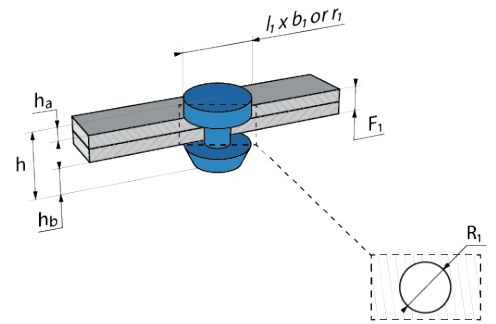


All dimensions in mm / Other dimensions and variants on request.

Ref.	Design	R2	R1	F1	F2	hb	ha	Features
016498		8-8.2	6	1.9	3-3.2	7.6	1	RESISTANT TO WATER RUN-OFF
082664		8-8.2	6	1.9	3-3.2	7.6	1	WATERPROOF
221464		8.4-8.6	6-10	1.7-2.3	0.8-2	8.7-9.7	1.1-1.3	WATERPROOF RESISTANT TO WATER RUN-OFF BI-INJECTION

PANEL PIN

Push-pin - Round hole

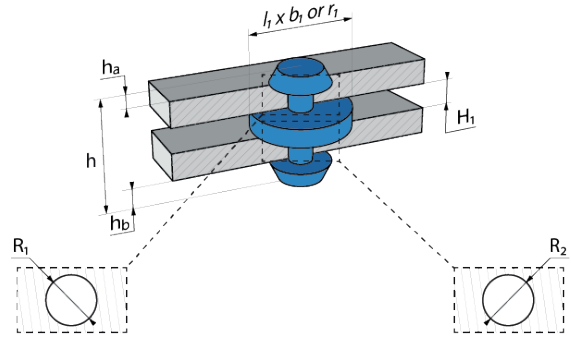


All dimensions in mm / Other dimensions and variants on request.


Ref.	Design	R1	F1	h
161092		3.48-3.59	2-7	11.9
219220		5.7-5.9	2	26.8
229942		6-6.4	9.8-35.6	46.5
163904		6.05	0.76-7.4	13.5
163740		6.22-6.48	3.4-19.4	30.5
229266		7-7.4	3-6.5	13
201698		7.1-7.3	3-16	24
162805		7.2	3-13.5	24

PANEL PIN

Push-pin - Double headed - Round hole

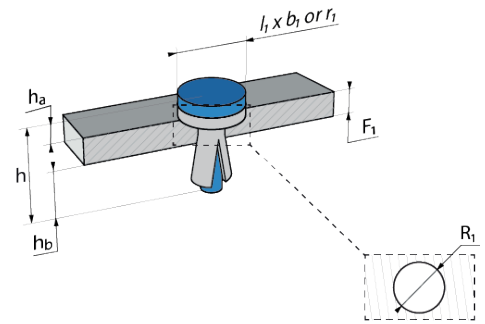


All dimensions in mm / Other dimensions and variants on request.

Ref.	Design	R1	R2	H1	F1	F2	h
228637		6.3	5-6.3	2	0.8-1.2	3.2-4.5	29.6

PANEL PIN

Push-riquet - Round hole



All dimensions in mm / Other dimensions and variants on request.

Ref.	Design	R1	F1	h
020728		5.5-5.7	9.5-10.5	32
052607		5.9-6.4	4.5-9	24.5
020644		6-6.4	2-4	18.93
202493		6.35-6.55	3-10	21.6

PROTECTING & FINISHING

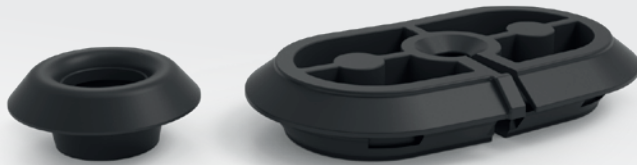
METAL ANTI-CREEPING RINGS

Transmit the locking torque of the screw while preventing plastic creeping, thus stabilizing the attachment.



GROMMETS

- Reducing vibration and associated noise.
- High quality sealing.



PLUGS

- Water evacuation feature available.
- Easy serviceability.
- Tight seal.



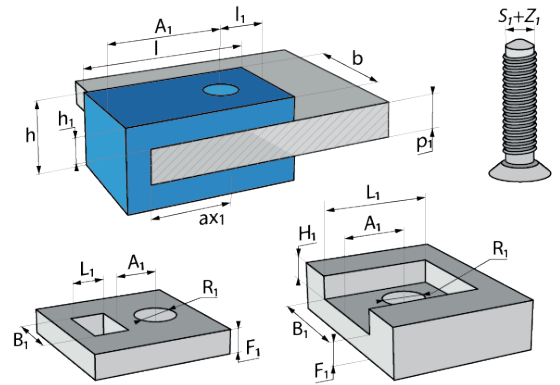
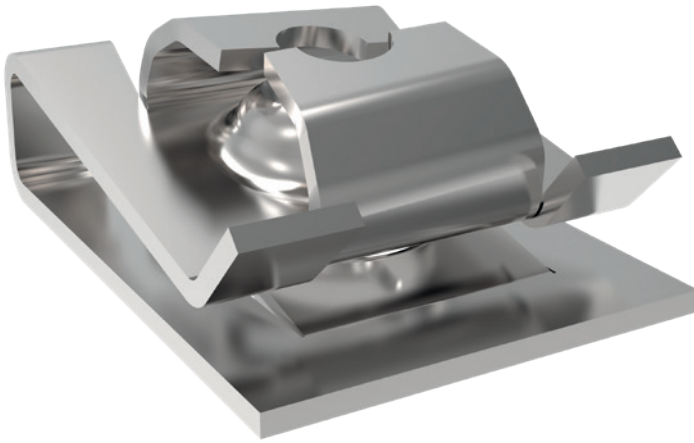
Contact us for
more information



THREADED FASTENERS & STUD RETAINERS

NUT

U-nuts



All dimensions in mm / Other dimensions and variants on request.

Ref.	Design	S1	F1	R1	A1	l1	p1
241281		M10 x 1,50	1.5-5.5	14.7-15.5	16.5-17.5	39.2	4.5-5.5
138331		M10 x 1,50	1.5-5.5	15.3 min	17 max		5.33-6.35
138276		M10 x 1,50	1.5-5.5	15.3 min	17 max	14	5.33-6.35
245050		M10 x 1,50	2-4		18 max		5.2
138023		M5 x 0,80	0.5-4	8.3-8.8	12.5 max	12	0.5 max
138020		M5 x 0,80	0.5-4	8.3-8.8	12.5 max	12	0.5 max
138286		M5 x 0,80	1.78-2.54	6.3-6.8	7.2-7.7		2.79-3.3
138341		M5 x 0,80	1.78-2.54	7.2-7.7	6.3-6.8		2.79-3.3



All dimensions in mm / Other dimensions and variants on request.

Ref.	Design	S1	F1	R1	A1	l1	p1
138006		M6 x 1,00	0.5-4	9.9-10.4	12.5 max	10.5	0.5 max
138022		M6 x 1,00	0.5-4	9.9-10.4	12.5 max	12	0.5 max
246127		M6 x 1,00	0.8-4	9.9-10.1	17.5-18.5	10	4
247582		M6 x 1,00	0.8-4	9.9-10.1	17.5-18.5	10	4
135206		M6 x 1,00	0.8-4	9.92-10.68	11.5-12.5	9.65	3.2-4.2
135202		M6 x 1,00	0.8-4	9.92-10.68	11.5-12.5	9.65	3.2-4.2
138288		M6 x 1,00	3-4.3	9.92 min	12.5 max		3.7
253091		M6 x 1,00	3.45-6.35	9.8 min	5.84-6.86		3.45
138345		M8 x 1,25	0.5-4	11.7 min	13.5 max	13.2	0.5 max
138291		M8 x 1,25	0.5-4	11.7 min	13.5 max	13.2	0.5-0.5
248339		M8 x 1,25	0.8-4	11.32-12.08	12.5-13.5	10.5	4



All dimensions in mm / Other dimensions and variants on request.

Ref.	Design	S1	F1	R1	A1	l1	p1
138289		M8 x 1,25	0.8-4	11.32-12.08	12.5-13.5	11.48	3.7
247641		M8 x 1,25	0.8-4	11.7-12.3	18.5-19.5	10.5	4
247642		M8 x 1,25	0.8-4	11.7-12.3	18.5-19.5	10.5	4
138330		M8 x 1,25	1.5-5.5	11.32-12.08	12.5-13.5		4.7
135220		M8 x 1,25	1.5-5.5	11.32-12.08	12.5-13.5	24.89	4.7
138329		M8 x 1,25	1.5-5.5	11.7-12.3	19.5-20.5		4.4
138273		M8 x 1,25	1.5-5.5	11.7-12.3	19.5-20.5	10.5	4.4
249037		M8 x 1,25	2-5	11.3	13.5	10	5.8
225603		SELF TAPPING 8-15	2.4-2.9	6.5-7	8	17	1.8-2.5
137743		SELF TAPPING 8-15	2.75-3.25	5.35 min	6.5 max	11.1	0-1
137607		ST4.2_8-18	0.5-1.8	8.33 min	7.92-7.92	19.5	1-1.5



All dimensions in mm / Other dimensions and variants on request.

Ref.	Design	S1	F1	R1	A1	l1	p1
138056		ST4.2_8-18	0.5-2	7.55 min	8.1 max	7.14	0.9-1.9
239190		ST4.2_8-18	0.51-3.43	7.37 min	5.84-6.86		1.52 max
239192		ST4.2_8-18	0.51-3.43	7.37 min	12.19-13.21		1.52 max
137532		ST4.2_8-18	0.64-3.81	7.11	5.85-6.35	10.67	0-0.64
138973		ST4.2_8-18	0.65-3.8	6.98 min	8.64 max		0-0.6
138055		ST4.2_8-18	0.65-3.8	7.55 min	8.1 max	7.16	2.5-3.5
138280		ST4.2_8-18	0.65-3.8	7.55 min	14 max		1.8-2.8
137900		ST4.2_8-18	0.8-1.2	8.33 min	14 max	15.3	1.3-2.5
224223		ST4.2_8-18	1.5-1.7	7-7.2	5.2-5.5	6.4	3.3
137463		ST4.2_8-18	1.78-3.81	8.33 min	7.92 max	9.65	1.02-2.54
138043		ST4.2_8-18	1.8-3.5	8.3	7.9		1.4-2.6



All dimensions in mm / Other dimensions and variants on request.

Ref.	Design	S1	F1	R1	A1	l1	p1
137608		ST4.2_8-18	1.8-3.8	8.3 min	7.9-7.9	19.5	1.5-2.5
137621		ST4.2_8-18	1.8-3.8	8.33 min	14 max	11	1.3-2.5
135211		ST4.2_8-18	2-3	7.55 min	8.1 max		2.3
137802		ST4.2_8-18	2-3.4	8 min	7.9 max		2.5-4.5
017562		ST4.2_8-18	2-3.5	6.5-6.7	6.5-7	7.5	1.4
137527		ST4.2_8-18	2.29-2.79	7.14 min	7.14 max	7.87	0.51-1.78
137643		ST4.2_8-18	2.4-2.9	6.5-7	8 max	8	1.8-2.5
137736		ST4.2_8-18	2.4-2.9	6.5-7	8-8	8	1.8-2.5
241899		ST4.2_8-18	2.5-3.5	7.75	9.4-9.8	7	2.2
138048		ST4.8_10-16	0.5-2.5	7.2-7.8	7.9 max		0-1
239197		ST4.8_10-16	0.51-3.43	7.37 min	5.84-6.86		1.52 max



All dimensions in mm / Other dimensions and variants on request.

Ref.	Design	S1	F1	R1	A1	l1	p1
137531		ST4.8_10-16	0.6-3.8	7.1	5.8-6.8	12.45	0-1
239397		ST4.8_10-16	0.6-3.8	8.3-9.1	10.5 max	7.8	4.62
260865		ST4.8_10-16	0.6-3.8	8.3-9.1	10.5	7.75	4.62
137765		ST4.8_10-16	0.71-1	7.55-8.05	5.4-6.4	6.3	0.3-0.9
137837		ST4.8_10-16	1.2-3	6.5-7	8 max	17	0-1.5
248059		ST4.8_10-16	2-4	8.3-9.1	10.5 max	7.75	4.6
239210		ST4.8_10-16	3.45-6.35	7.37 min	5.84-6.86		3.45 max
239335		ST4.8_10-16	5.7-7	6.35 min	11.5 max	7.11	5.4
251188		UNC 1/4-20	0.64-3.8	9.53-10.29	10.92-11.94	9.65	3.71
138332		UNC 1/4-20	0.64-3.81	9.52-10.29	10.9-11.93	9.6	3.2-4.22
246126		UNC 1/4-20	0.64-3.81	9.65-10.16	17.78-18.8	10	4

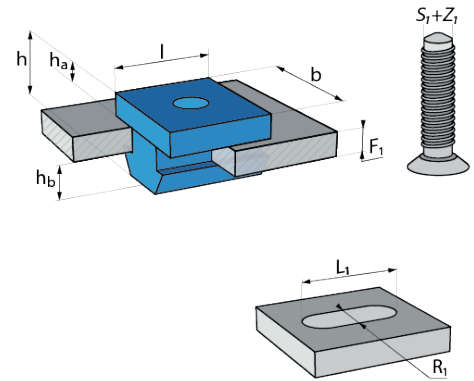


All dimensions in mm / Other dimensions and variants on request.

Ref.	Design	S1	F1	R1	A1	l1	p1
246128		UNC 1/4-20	0.64-3.81	9.65-10.16	17.78-18.8	10	4
239200		UNC 10-24	0.51-3.43	7.37 min	5.84-6.86		1.52 max
239201		UNC 10-24	0.51-3.43	7.37 min	12.19-13.21		1.52 max
138333		UNC 3/8-16	1.27-5.08	13.89-14.66	16.26-17.27		5.08
138334		UNC 5/16-18	0.64-3.81	10.72-11.48	12.19-13.21		3.71
138335		UNC 5/16-18	1.27-5.08	10.72-11.48	12.19-13.21		3.71
247583		UNC 5/16-18	1.27-5.08	11.51-12.01	18.8-19.81	11.56	3.98
245459		UNC 5/16-18	1.27-5.08	11.51-12.01	18.8-19.81	11.56	3.98
138337		UNC 8-32	0.51-2.01	7.54-8.31	9.22 max		0.25-1.27
138338		UNC 8-32	0.64-3	7.54-8.31	7.11-8.13		2.54
138347		UNF 10-32	1.78-2.54	7.24-7.75	6.35-6.86		2.79-3.3

NUT

Plastic push-in nuts

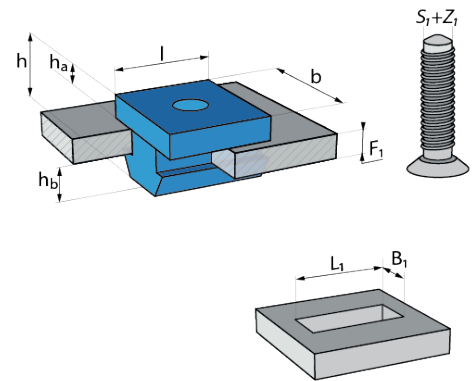
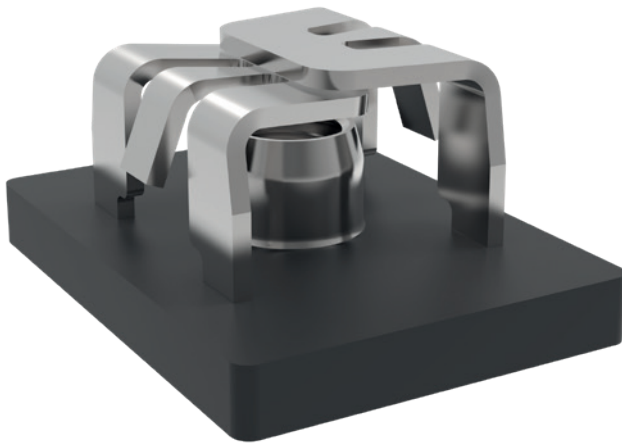


All dimensions in mm / Other dimensions and variants on request.

Ref.	Design	S1	F1	L1 x R1	ha	hb	l x b x h
056256		MT 4,50	0.6-3	14.2 x 7.2	2	12-14.4	13.2 x 19.9-20.5 x 17
222561		PT 5,0	0.7-1.2		1.4	17.4-17.9	19.4 x 19.4 x 20
246399		ST4.2/4.3	1		10.8	8.7	20.6 x 18.9 x 20.7
161710		ST4.2_8-18	0.75		0.75	8	9.5 x 9.5 x 9.9

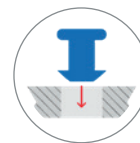
NUT

Box and expansion nuts




All dimensions in mm / Other dimensions and variants on request.

Ref.	Design	S1	F1	L1 x B1	l x b x h or d x h	Features
135216		M6 x 1,00	0.65-1.8	14.75-15.25 x 14.75-15.25	14.6 x 21 x 9.7	
138039		M6 x 1,00	0.7-2	14.9-15.1 x 10.9-11.1	14.7 x 18 x 10.8	
233379		M6 x 1,00	0.7-3.8	13.75-14.03 x 9.25-9.53	8.2 x 18 x 10.8	
138027		M6 x 1,00	1.5-3.5	13.7-14.2 x 15.8-16.3	19 x 26 x 10.1	RESISTANT TO WATER RUN-OFF
137959		M6 x 1,00	1.5-3.5	13.7-14.2 x 16.05	13.58 x 22 x 10.1	
238237		M6 x 1,00	2-3.2	14.9-15.1 x 10.9-11.1	14.7 x 18 x 11	
135200		M6 x 1,00	2.2-3	14.8-15 x 14.8-15	14.35 x 14.35 x 15	
203245		M6 x 1,00	2.5-3	13.4-13.6 x 12.1-12.3	18 x 14 x 14.2	



Box and expansion nuts





All dimensions in mm / Other dimensions and variants on request.

Ref.	Design	S1	F1	L1 x B1	l x b x h or d x h	Features
137675		SELF TAPPING 8-15	2.1-2.5	10-10.2 x 8.1	9.4 x 11.6 x 12.4	
259754		SELF TAPPING 8-15	2.1-2.5	10-10.2 x 8-8.2	12.5 x 11.6 x 12.4	
251434		ST4.2_8-18	0.5-3.5	15.8-16.2 x 11-11.2	23 x 13.3 x 10.2	
256768		ST4.2_8-18	0.6-2.2	12 x 9	14.9 x 13.3 x 7.6	
248737		ST4.2_8-18	0.65-2.5	8.65 x 8.65	15.9 x 10 x 7.5	
137974		ST4.2_8-18	0.7-2.15	8.55-8.75 x 10.75	8.4 x 15.9 x 6.9	
137822		ST4.2_8-18	0.7-2.15	8.55-8.75 x 8.65	12 x 15.9 x 6.9	
137833		ST4.2_8-18	0.7-2.15	8.55-8.75 x 8.65	12 x 15.9 x 6.9	RESISTANT TO WATER RUN-OFF
240660		ST4.2_8-18	1.4-5	11-0 x 15.8-16.2	13.5 x 23 x 10.1	
138021		ST4.2_8-18	2.3-2.8	11-11.2 x 9.1	14.25 x 14.25 x 12.7	RESISTANT TO WATER RUN-OFF
135207		ST4.2_8-18	2.3-2.8	11-11.2 x 9-9.2	10.6-10.9 x 11.71-12.01 x 11.9-12.7	



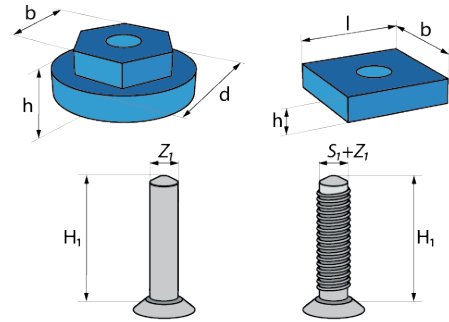
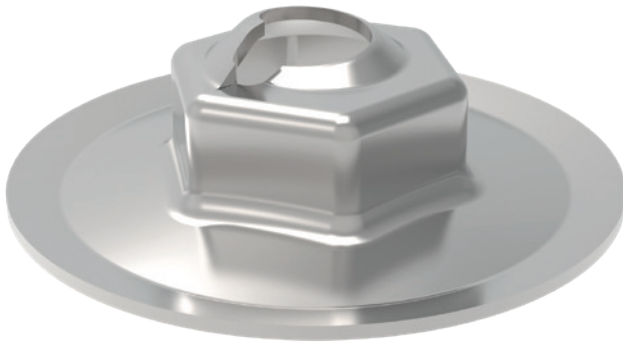
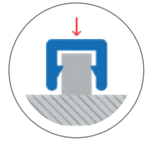
Box and expansion nuts

All dimensions in mm / Other dimensions and variants on request.

Ref.	Design	S1	F1	L1 x B1	l x b x h or d x h	Features
135204		ST4.2_8-18	2.3-2.8	11-11.2 x 9-9.2	13-13.7 x 11.71-12.01 x 12.7-12.7	
254513		ST4.8_10-16	0.7-2.3	12.9-13.1 x 12.9-13.1	22.5-23.5 x 14.5-15.5 x 7.6-8.2	WATERPROOF
254153		ST4.8_10-16	0.7-2.3	12.9-13.1 x 12.9-13.1	23 x 23 x 8.6	WATERPROOF
137803		ST4.8_10-16	2.1-2.5	10-10.2 x 8-8.2	9.4 x 11.6 x 12.4	

NUT

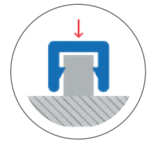
Stamped nuts



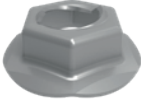


All dimensions in mm / Other dimensions and variants on request.

Ref.	Design	S1 / Z1	H1	b	d	h
138381		M5 x 0,80	11 min	9.76-10	19	10.5
138095		M6 x 1,00	10	11	18	7.3
138853		SMOOTH-STUD 1/4»-6.35mm	4 min	12.8-13		3.15-3.65
138806		SMOOTH-STUD 1/4»-6.35mm	8 min	10.88	18	7.06
138792		SMOOTH-STUD 3/16»	8	9.32-9.53	12.7	5.51
138862		SMOOTH-STUD 5mm	7.8 min	10	14.87	5.02
138801		SMOOTH-STUD 6mm		11	18	7.18
138843		SMOOTH-STUD 6mm		13		3.4

Stamped nuts

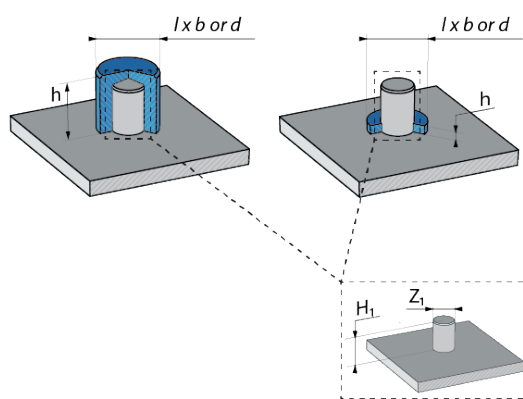
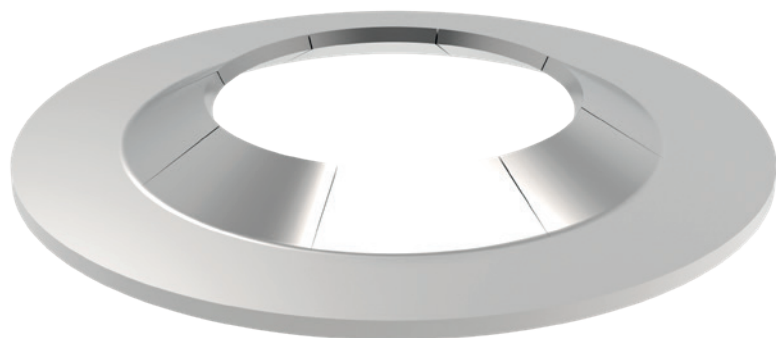
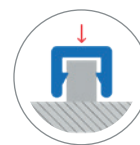


All dimensions in mm / Other dimensions and variants on request.

Ref.	Design	S1 / Z1	H1	b	d	h
138802		SMOOTH-STUD 8mm-5/16»		12.9	20	7.85
138101		T5 Stud		10	14	6.4
020879		T5 Stud	9	10	22.5	7

PUSH-ON STUD RETAINER

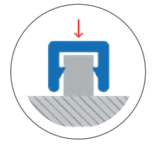
Smooth stud



All dimensions in mm / Other dimensions and variants on request.

Ref.	Design	Z1	H1	l x b x h o r d x h
138612		1.51-1.64		
138615		2.31-2.46		4.95 x 0.97
138620		3.1-3.23		9.53 x 1.14
138619		3.1-3.25		9.52 x 1
138578		3.89-4.02		11.1 x 1.19
138621		4.69-4.85		
138623		4.69-4.85		
138604		4.92-5.05		11.1 x 1.52

PUSH-ON STUD RETAINER

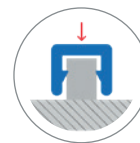


Smooth stud

All dimensions in mm / Other dimensions and variants on request.

Ref.	Design	Z1	H1	l x b x h or d x h
138661		4.92-5.05	5 min	23.8 x 1.52-2.29
138580		5.48-5.63		13.49 x 1.7
138608		5.92-6.05	4	13.5 x 1.75
138610		6.22-6.35		13.37-13.63 x 1.32-1.58
138662		6.27-6.4	6	23.82 x 2.1
138629		6.27-6.43		13.37-13.63 x 1.32-1.68
138663		7.86-7.99	6	23.82 x 2.46
138632		7.86-8.01		
138631		7.86-8.01		
138915		7.97-7.99	4	12.57-12.83 x 1.03-1.27
138664		9.45-9.58	6	23.82 x 2.36

PUSH-ON STUD RETAINER

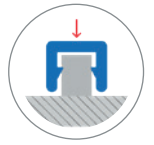


Smooth stud

All dimensions in mm / Other dimensions and variants on request.

Ref.	Design	Z1	H1	l x b x h or d x h
138636		9.45-9.6		
138635		9.48-9.61		19.05 x 2.06
138617		9.92-10.05		18.87-19.13 x 1.19-1.45
138616		9.92-10.05		19 x 2
138665		11.04-11.19		23.8 x 1.9
138637		11.07-11.2		
138618		11.92-12.05		
138666		12.62-12.78		
138638		12.62-12.78		
227874		14		26.9 x 2.5
138584		19-19.1	5-0	25.15-25.65 x 1.35-1.85

PUSH-ON STUD RETAINER



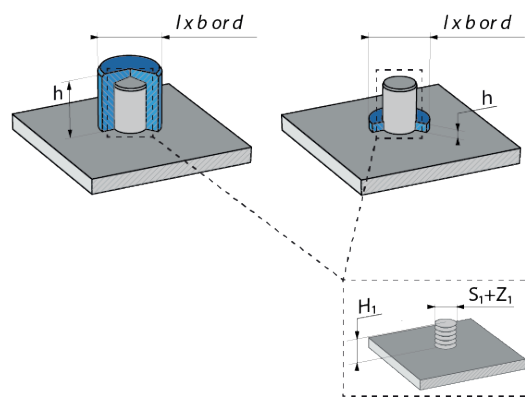
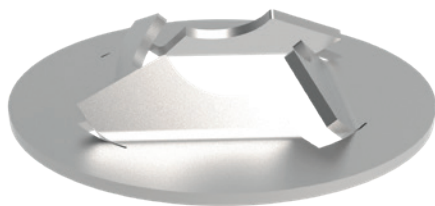
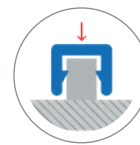
Smooth stud

All dimensions in mm / Other dimensions and variants on request.

Ref.	Design	Z1	H1	l x b x h or d x h
239864		19.93-20		26.16 x 3.56
138880		24.93-25		
230270		27.45		40-40.5 x 2.7-3.3

PUSH-ON STUD RETAINER

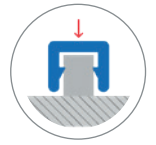
Threaded stud



All dimensions in mm / Other dimensions and variants on request.

Ref.	Design	S1	H1	d
138646		M10 x 1,50	5 min	19.87
138647		M12 x 1,75	6 min	21.41
138650		M14 x 2,00	6	25
235208		M16 x 2,00		35
138642		M5 x 0,80	4	11.1
135217		M6 x 1,00	4	12.7
135213		M6 x 1,00	4	17
135209		M8 x 1,25	5	15.9

PUSH-ON STUD RETAINER



Threaded stud

All dimensions in mm / Other dimensions and variants on request.

Ref.	Design	S1	H1	d
140648		M8 x 1,25	5 min	23.6-24
138697		M8 x 1,25	5 min	23.8
249647		T5 Stud		30
138655		UNC 1/4-20	4.7 min	12.7
138658		UNC 3/8-16		19.84
138657		UNC 5/16-18		15.9
138660		UNF 1/2-20		23.83
138659		UNF 7/16-20		21.41

SPECIFIC DEVELOPMENTS

ELIMINATE SCREW OPERATIONS



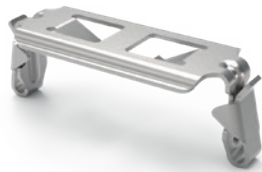
Battery lid closure is just one of many applications where clipping solutions can replace screws.

- Reduce assembly time
- Ensure proper sealing
- Screwless assembly
- Cost savings



Ref. 269139

▶ HIGH STRENGTH CLIP



Ref. 276555

▶ BRIDGE STYLE



Ref. 250765

▶ 2 PIECE STYLE



Ref. 276557

▶ LEVER STYLE

Contact us to learn more about other cost saving opportunities by eliminating screws.



CLEANING SOLUTIONS

Washer systems

ARaymond has over 40 years of experience developing and producing cleaning system components. Our cleaning systems' integrated functions, such as inline or nozzle non-return valves, quick connectors, and combination brackets provide optimal performance.

ARaymond's team of cleaning system experts work closely with our customers to create value added solutions by improving assembly time, reducing complexity, and optimizing fluid efficiency and packaging.

This ensures impeccable cleaning of front and rear windshields, ADAS sensors, and camera lenses.



Rear glass nozzle assembly w/ jumper tube

CLEANING SYSTEM



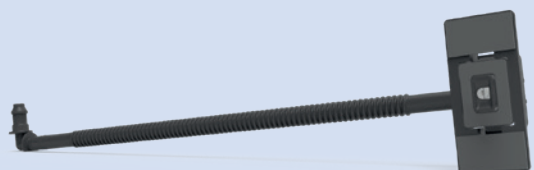
- Full System Supplier (FSS) from washer reservoir pump outlet to nozzle assembly.
- Full access to ARaymond catalog of hose assembly accessories (Quick Connectors, Unions, Non-Return Valves & Tube Fasteners).



WINDSHIELD FRONT & REAR NOZZLE

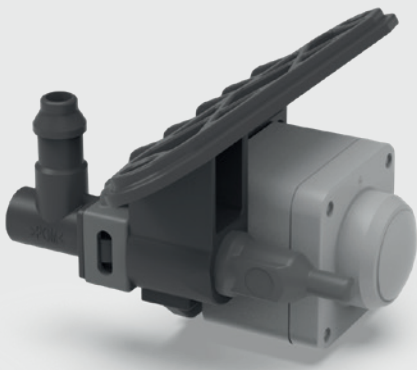


- Nozzles can be integrated with non-return valves and an oscillating spray pattern to ensure maximum cleaning performance.
- Light weight nozzles custom designed for integrating into tight packaging spaces.

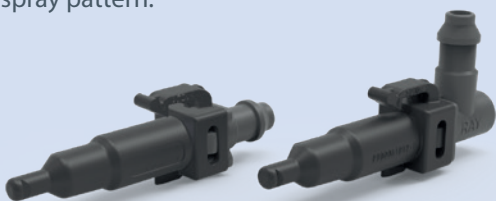




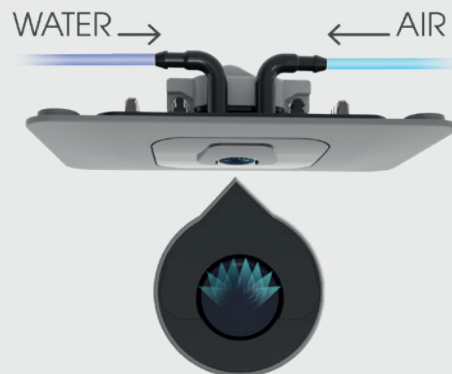
CAMERA & SENSOR NOZZLES



- Our Nozzle with Combination Bracket is a compact and flexible cleaning solution that offers easy-to-integrate attachments to fit the most complex vehicle architectures.
- Ultra-low-profile nozzle head with precision spray pattern.



ADAS & AUTONOMOUS SOLUTIONS



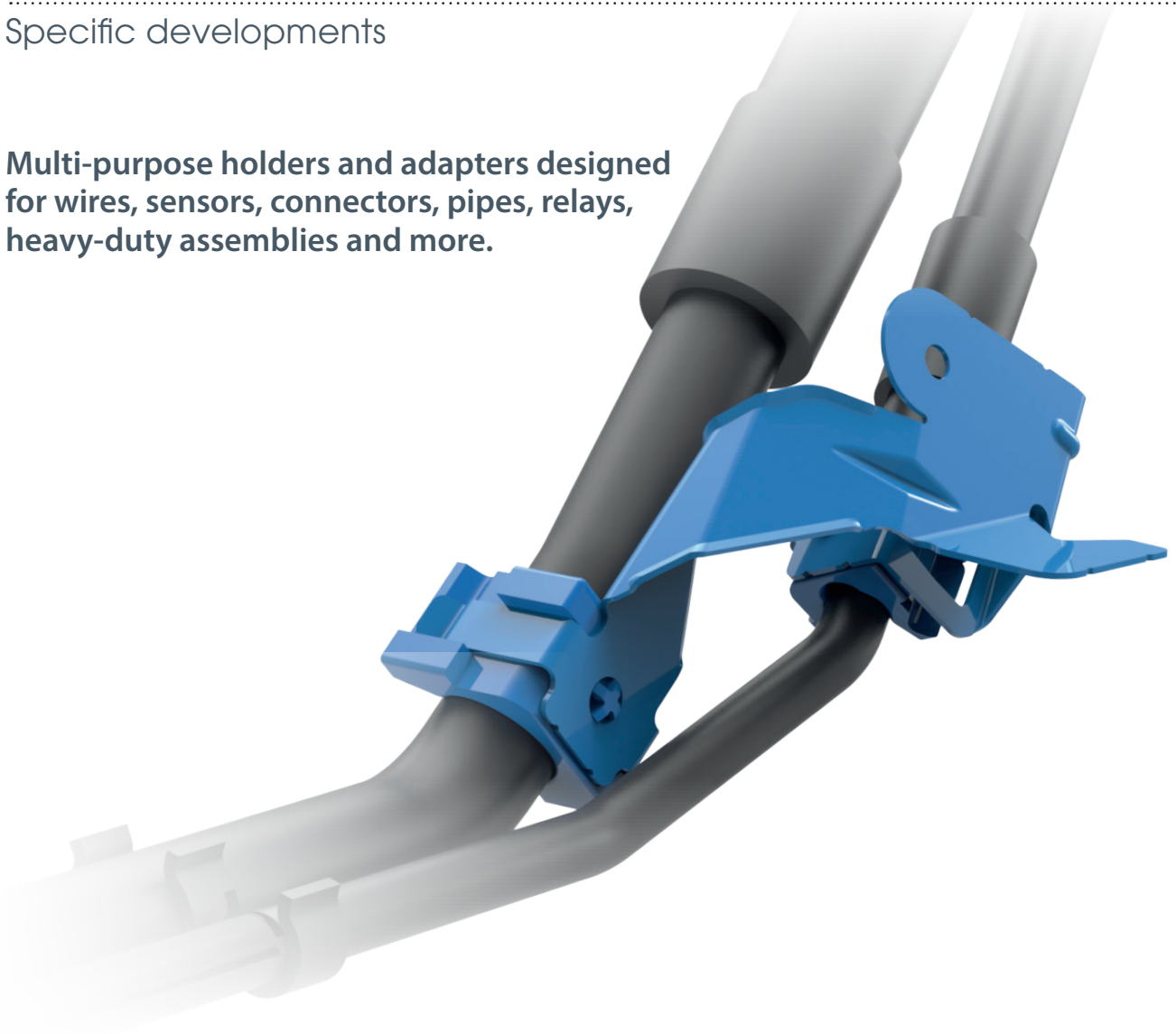
- Custom solution developments for ADAS and autonomous vehicles.
- Dual media nozzle for an all-in-one solution utilizing air and water cleaning methods.



BRACKETS

Specific developments

Multi-purpose holders and adapters designed for wires, sensors, connectors, pipes, relays, heavy-duty assemblies and more.



ROBUST

Our spring steel brackets are ideal for harsh environments and high temperature areas, for applications such as underbody, engine bay, and wheel arches.

VERSATILE

We can provide versatile, complex shapes to suit almost any packaging requirement, as well as surface treatment to suit all vehicle environments.

WEIGHT SAVING

Spring steel is a light weight, high strength and yet flexible material specifically suitable for ergonomic fastening. Our plastic brackets are lightweight and resistant to high temperatures.

INTEGRATED FUNCTIONS

To combine functionality features, we develop brackets with integrated fastening systems such as tube, pipe or cable holders.

Contact us to learn more about the many configurations and mounting options possible.



SPRING STEEL BRACKETS



PLASTIC BRACKETS WITH METAL ANTI-CREEPING RINGS



PLASTIC & METAL BRACKET ASSEMBLIES



CABLE CHANNELS

Specific developments

PROTECTING OR FORMING OF THE WIRING HARNESS

Our many years experience and design expertise allow us to develop cable channels which are optimized to fit both our wire harness customers and OEMs requirements and specifications.

ROBUST AND OPTIMIZED

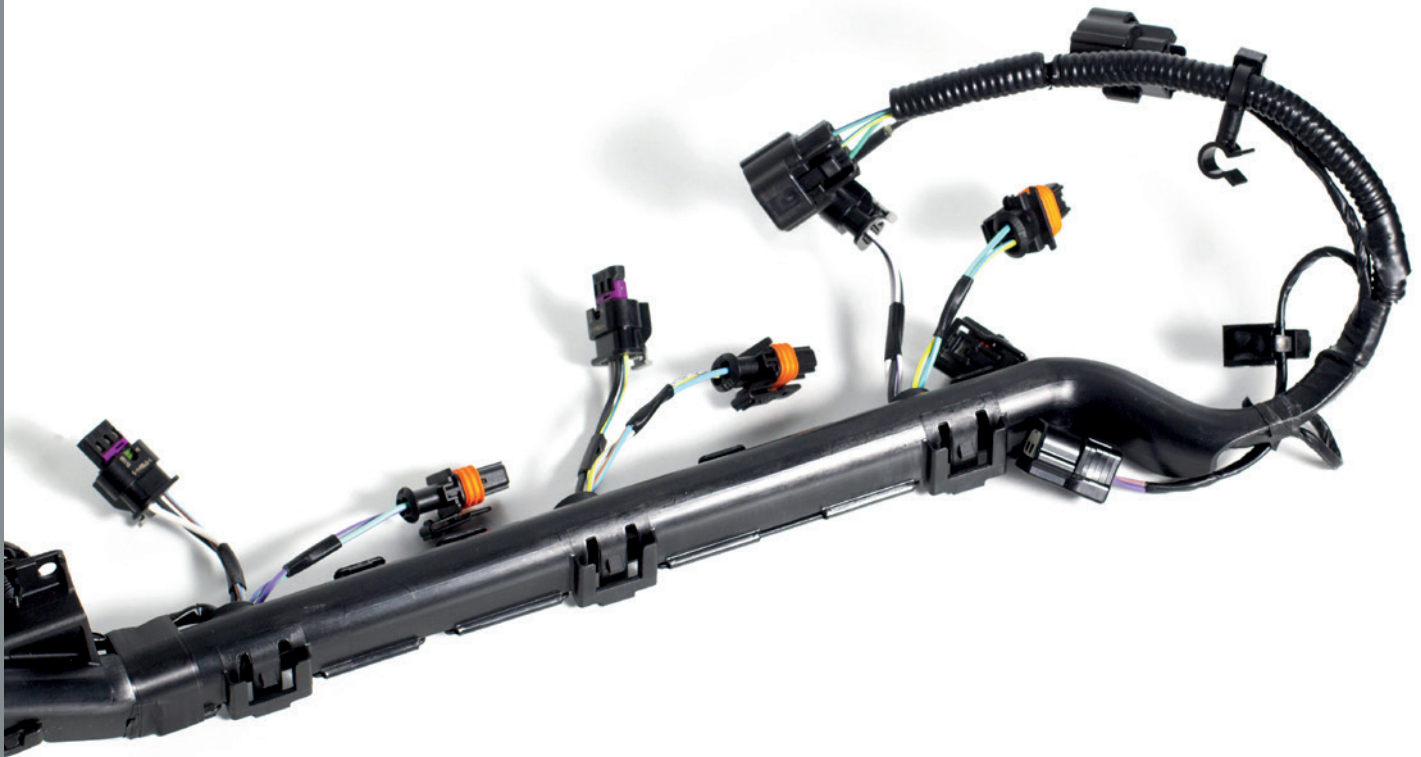
The ARaymond cable channels are made from injection-molded plastic components with or without metal inserts and provide robust performance throughout the vehicle's lifetime.

The parts allow an optimized number of fixing points while maintaining complete control of wire harness.

REPEATABILITY

Our designs facilitate quick and easy assembly line processes.

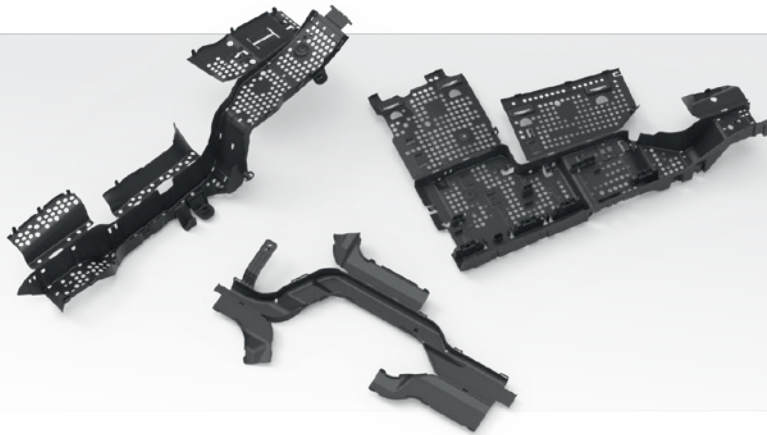
They provide repeatable wiring harness assembly, even in complex packaging areas.



ENGINE BAY



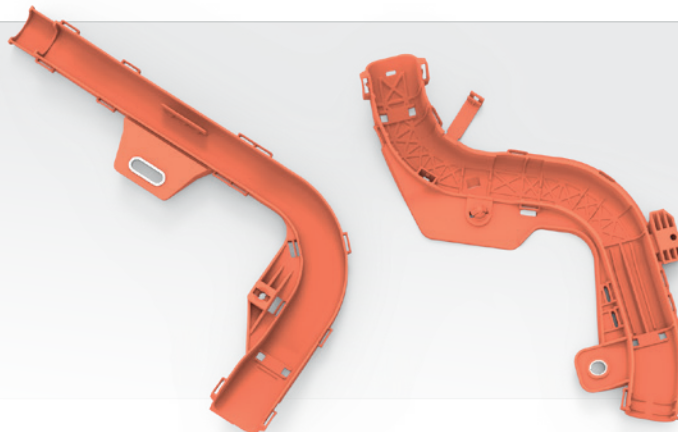
INTERIOR



UNDERBODY



HIGH VOLTAGE



COVERS & PROTECTORS

Specific developments

These parts protect, can provide serviceability, offer strain relief, and improve aesthetics.

ASSEMBLY VERIFICATION

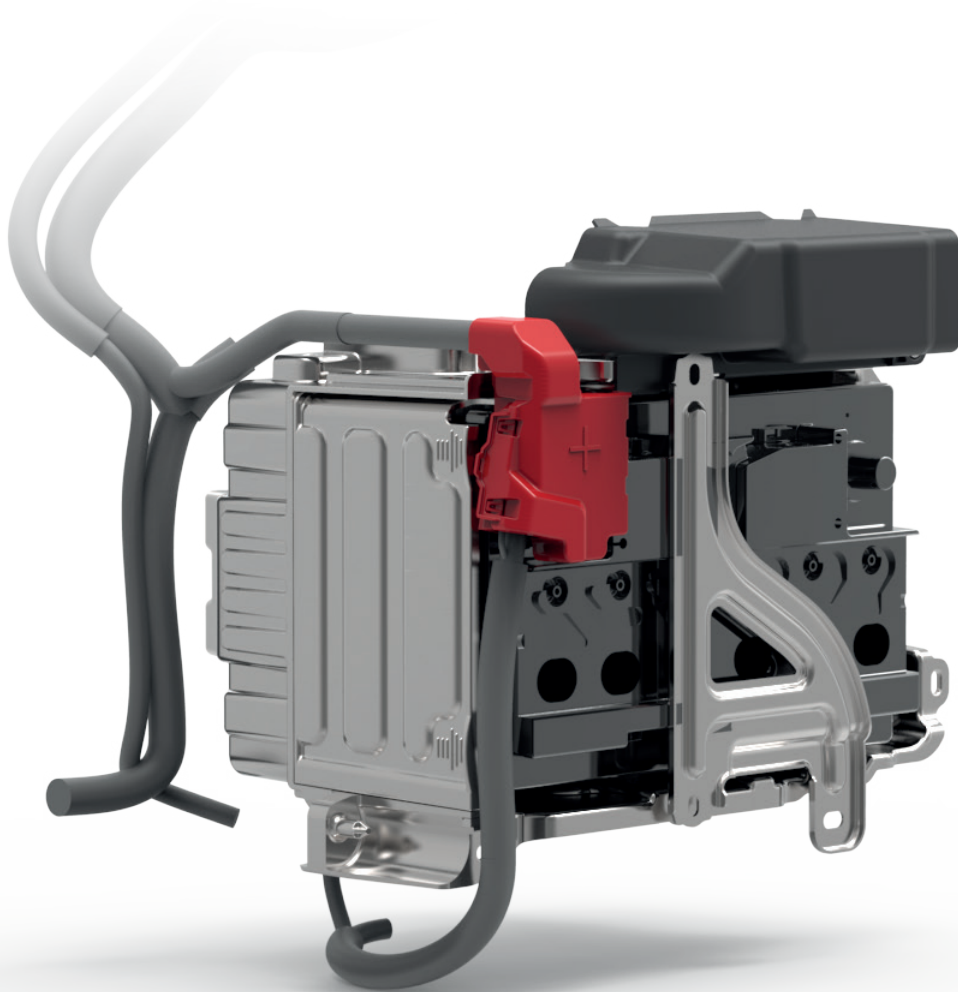
Our parts can be embedded with QR / bar codes or RFID tags, for in-process assembly verification and automated visual inspection.

ROBUST DESIGN

Our protectors allow for several assemblies and disassemblies without loss of performance, and prevent short circuiting.

SECURE FASTENING

Strain relief brackets strongly guide wires and offset connector stress to prevent downgrading of connection quality. Our multifunction covers protect wire harnesses and beautify the engine compartment.



BATTERY POSITIVE COVERS



ELECTRONIC BOX PROTECTORS



STRAIN RELIEF COVERS AND BRACKETS



Contact us to learn more about the many configurations and mounting options possible.



COMPLEX PARTS & MECHANISMS

Specific developments

DESIGN, MANUFACTURING & ASSEMBLY OF COMPLEX PARTS AND MECHANISMS

ARaymond offers vehicle specific development services to respond to assembly challenges.

We handle all stages of the development process, from product design to manufacturing of complex or detailed parts.

We also combine our expertise in clipping, connecting, and bonding to provide the best assembly solution.

SPECIFIC DEVELOPMENTS

TOC bracket

Lightweight bracket to replace a complex mounting assembly for transmission oil cooler.

Headliner clip

Integrated panel locking feature for multiple headliner applications.



Window channel

Designed to ensure that rubber cannot move during the repeated up and down movements of the glass.

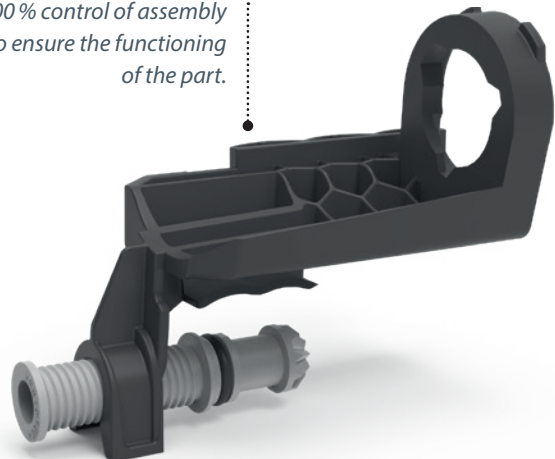
Window positioning clip

Easy to mount and adjust for the tolerances of window positioning before bonding.

ACTUATOR AND ADJUSTER

Our experts optimize the design of individual parts to be assembled together to ensure both a good assembly and end performance.

100% control of assembly to ensure the functioning of the part.



CLOSURE BUMPERS

Specific developments

A full range of solutions for closure systems

ASSEMBLY TIME REDUCTION

Our bumpers allow assembly time reduction due to a perfect fit and an easy assembly process.

PERCEIVED QUALITY

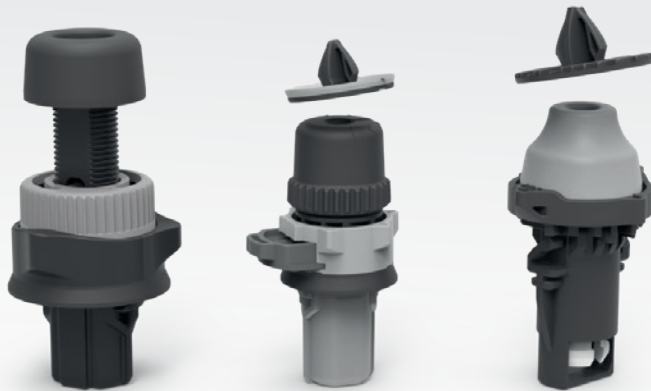
Our bumper solutions improve passenger comfort and vehicle aesthetics by reducing noise propagation and ensuring fit and finish adjustments.

GAP MANAGEMENT

Our adjustable bumpers perform in a wide range of gaps across different closure applications.



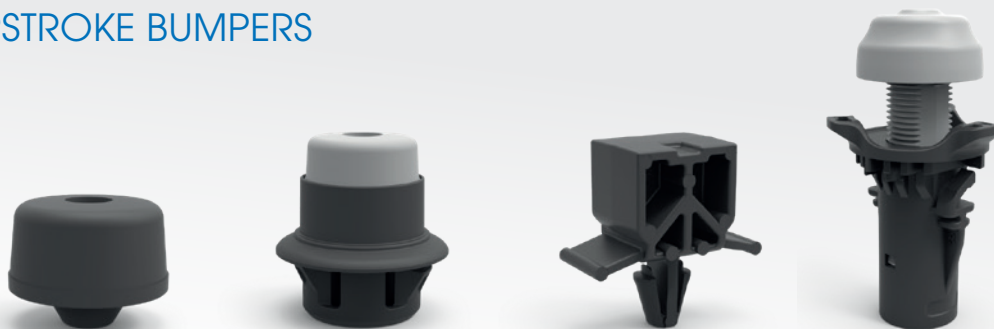
POSITIONING BUMPERS



EJECTOR BUMPER



OVERSTROKE BUMPERS



PART NUMBER INDEX

013059.....46	082612.....18	137765.....77	138345.....73
016048.....37	082621.....20	137789.....65	138347.....78
016498.....66	082639.....56	137802.....76	138381.....83
017562.....76	082646.....18	137803.....82	138578.....85
017714.....37	082651.....11	137822.....81	138580.....86
017737.....38	082652.....11	137833.....81	138584.....87
017842.....63	082653.....11	137837.....77	138604.....85
017862.....34	082660.....18	137853.....34	138608.....86
018030.....37	082664.....66	137887.....65	138610.....86
018141.....37	108431.....39	137894.....25	138612.....85
018372.....25	108447.....39	137900.....75	138615.....85
018845.....36	135036.....29	137959.....80	138616.....87
019554.....37	135200.....80	137974.....81	138617.....87
020644.....69	135202.....73	138006.....73	138618.....87
020728.....69	135203.....63	138020.....72	138619.....85
020879.....84	135204.....81	138021.....81	138620.....85
052607.....69	135205.....64	138022.....73	138621.....85
055286.....36	135206.....73	138023.....72	138623.....85
056256.....79	135207.....81	138027.....80	138629.....86
080930.....53	135209.....89	138039.....80	138631.....86
080973.....56	135211.....76	138043.....75	138632.....86
081013.....55	135213.....89	138048.....76	138635.....87
081027.....54	135216.....80	138055.....75	138636.....87
081083.....52	135217.....89	138056.....75	138637.....87
081085.....54	135220.....74	138095.....83	138638.....87
081111.....52	135240.....25	138101.....84	138642.....89
081130.....52	135257.....64	138273.....74	138646.....89
081168.....56	136760.....34	138276.....72	138647.....89
081244.....53	136893.....34	138280.....75	138650.....89
081253.....52	137062.....36	138286.....72	138655.....90
081257.....53	137463.....75	138288.....73	138657.....90
081430.....54	137527.....76	138289.....74	138658.....90
081431.....53	137531.....77	138291.....73	138659.....90
081462.....55	137532.....75	138329.....74	138660.....90
081484.....52	137603.....34	138330.....74	138661.....86
081732.....52	137607.....74	138331.....72	138662.....86
081892.....53	137608.....76	138332.....77	138663.....86
082280.....19	137621.....76	138333.....78	138664.....86
082291.....54	137643.....76	138334.....78	138665.....87
082371.....19	137675.....81	138335.....78	138666.....87
082501.....53	137719.....63	138337.....78	138697.....90
082529.....56	137736.....76	138338.....78	138792.....83
082610.....19	137743.....74	138341.....72	138801.....83

138802.....	84	164743.....	46	203362.....	18	223811.....	38
138806.....	83	164744.....	46	203378.....	18	223863.....	39
138843.....	83	164745.....	36	203870.....	11	223899.....	20
138853.....	83	168752.....	21	204814.....	21	223908.....	43
138862.....	83	168780.....	23	204817.....	21	224223.....	75
138880.....	88	168781.....	19	206702.....	22	224699.....	12
138915.....	86	168782.....	21	206902.....	36	224721.....	14
138973.....	75	168794.....	53	207332.....	20	225255.....	42
140648.....	90	168797.....	18	207507.....	15	225319.....	22
161092.....	67	168800.....	20	207579.....	21	225603.....	74
161710.....	79	168803.....	18	208657.....	54	225674.....	55
162805.....	67	168804.....	19	208738.....	24	225976.....	55
163631.....	29	168809.....	21	208910.....	13	226077.....	37
163682.....	36	168811.....	13	208966.....	21	226530.....	21
163740.....	67	168812.....	21	209310.....	59	227874.....	87
163904.....	67	168815.....	54	209423.....	26	228637.....	68
163953.....	36	168822.....	19	209891.....	63	229022.....	41
164067.....	41	168823.....	20	211319.....	28	229266.....	67
164179.....	29	168831.....	53	211321.....	28	229426.....	19
164274.....	26	168832.....	53	212461.....	15	229942.....	67
164321.....	60	168839.....	52	213008.....	22	230037.....	55
164322.....	60	168841.....	55	213254.....	12	230270.....	88
164432.....	41	168844.....	54	216023.....	63	230346.....	12
164440.....	28	168851.....	55	218680.....	23	230347.....	14
164448.....	12	168869.....	20	219018.....	43	230401.....	34
164450.....	41	168877.....	22	219220.....	67	230577.....	59
164452.....	27	168903.....	29	219241.....	37	230635.....	18
164453.....	27	168914.....	55	219427.....	21	230759.....	23
164459.....	15	168920.....	54	220116.....	35	231445.....	20
164460.....	12	168922.....	13	220263.....	13	233316.....	20
164465.....	26	168955.....	35	221052.....	59	233379.....	80
164473.....	28	168963.....	54	221464.....	66	233777.....	20
164476.....	41	175200.....	12	221640.....	54	233857.....	38
164516.....	59	200600.....	14	221845.....	63	234772.....	45
164528.....	44	200825.....	63	221956.....	55	235208.....	89
164537.....	37	201172.....	19	222124.....	39	235479.....	60
164719.....	41	201229.....	34	222391.....	65	235654.....	17
164728.....	44	201340.....	27	222561.....	79	235765.....	12
164729.....	47	201662.....	26	222569.....	43	235767.....	14
164730.....	43	201698.....	67	222881.....	42	235769.....	14
164731.....	39	202493.....	69	223214.....	37	235770.....	13
164737.....	45	202609.....	19	223241.....	19	235918.....	17
164741.....	39	203245.....	81	223346.....	20	235920.....	17

PART NUMBER INDEX

235922.....17	247035.....55	253091.....73
235923.....17	247085.....56	253226.....53
236957.....12	247087.....57	253424.....24
237044.....37	247088.....57	254153.....82
237688.....57	247100.....24	254513.....82
237859.....29	247295.....17	254778.....59
238091.....36	247486.....46	254896.....59
238237.....80	247487.....39	255874.....40
238806.....59	247531.....39	256381.....54
239190.....75	247582.....73	256768.....81
239192.....75	247583.....78	258781.....42
239197.....76	247641.....74	259377.....38
239200.....78	247642.....74	259754.....81
239201.....78	248059.....77	260303.....52
239210.....77	248339.....73	260865.....77
239335.....77	248378.....46	262511.....38
239397.....77	248379.....15	262618.....56
239454.....56	248440.....41	263510.....40
239692.....22	248474.....41	265821.....57
239864.....88	248737.....81	266749.....56
240660.....81	248855.....38	267820.....64
241281.....72	248893.....45	268339.....64
241750.....43	249037.....74	275485.....40
241899.....76	249148.....40	
242075.....45	249151.....40	
242076.....34	249154.....40	
242753.....20	249155.....40	
242892.....35	249168.....42	
243277.....56	249400.....55	
243317.....35	249647.....90	
243710.....56	249808.....22	
244422.....19	250085.....38	
244777.....56	250344.....22	
244960.....47	250629.....38	
245046.....21	250713.....47	
245048.....44	250714.....24	
245050.....72	250828.....53	
245459.....78	250924.....35	
246126.....77	251188.....77	
246127.....73	251278.....40	
246128.....78	251434.....81	
246399.....79	252153.....37	
246405.....63	252187.....38	

ARAYMOND, AROUND THE WORLD



AMERICAS

USA & CANADA

Clipping Fasteners / Bonding Solutions

+1 248 853 2500

contact.us@araymond-automotive.com

Quick Connectors

+1 248 265 4000

contact.connecting.us@araymond.com

MEXICO

+1 248 853 2500

contact.mx@araymond-automotive.com

BRAZIL

+55 19 3836-6900

contact.br@araymond-automotive.com

EMEA

CZECH REPUBLIC, FRANCE, GERMANY, HUNGARY,
ITALY, MOROCCO, POLAND, ROMANIA, SLOVAKIA,
SPAIN, TURKEY, UNITED KINGDOM.

ASIA

CHINA, INDIA, JAPAN, SINGAPORE, SOUTH KOREA,
THAILAND, VIETNAM.

Contact us for
more information



www.araymond-mobility.com

2025 ©RAYGROUP SASU, (Registered N°: Grenoble 487 947 483) – 113 Cours Berriat - 38000 Grenoble - France has designed this catalog. "ARaymond Network" means a network of companies which have a license of use of ARAYMOND®. This catalog is provided for information purposes only and does not constitute an offer or an agreement. RAYGROUP SASU makes no warranty or representation whatsoever, express or implied, including but not limited to the accuracy, reliability, novelty, completeness, fit for a particular purpose or merchantability of the information contained in it. If you need further information, please contact RAYGROUP SASU.

ARaymond®